

# POWRMATIC®

Delivering complete climate control solutions worldwide

Same style.

Same quality.

Increased efficiency.

**The new LX from Powrmatic.**

# LX Range

ErP Suspended Warm Air Unit Heater

Natural Gas & LPG Fired Options



ErP Ready

[www.powrmatic.co.uk](http://www.powrmatic.co.uk)

# LX Suspended Warm Air Unit

## ErP Compliance

During 2021 the scope of the current Ecodesign regulation (EU) 2015/1188, Directive 2009/125/EC - Lot 21 Tier 2 (ErP) regulation will have a further reduction in the maximum levels of Nitrous Oxide (NOx) emissions allowable. All warm air heaters used to provide comfort for the occupants of a heated space and fueled by either natural or LPG (Propane) gases must emit NOx levels less than 70 mg/kWh. Alongside this, minimum seasonal efficiencies will increase from 72% (2018) to 78% (2021). Compliance to the standard remains mandatory.



## LX Installer Benefits



REDUCED NOx  
ErP READY 2021



EASY ENGINEERS  
ACCESS



SAME DESIGN  
& QUALITY



INSTANT ONLINE  
COMMISSIONING



SIMPLIFIED  
START UP

# Efficient Compliant Quality

The new LX from Powrmatic

The ErP 2021 compliant suspended LX range of unit heaters from Powrmatic benefits from the same design as the popular LNVx range its entire construction, performance, and aesthetics, finished with the popular epoxy powder RAL 7015 stove baked paint.

Our most advanced LX is ergonomically designed with low NOx levels which provides efficient and cost effective heating solutions for any industrial and commercial properties whilst built with heating engineers in mind.

### Models Available Heading

- LX F - Axial Fan Crossflow Units
- LX C - Centrifugal Close Coupled Fan Units
- LX V - Axial Fan Downflow Units
- LX D - Ducted No Fan Unit
- LX Duo - Axial Fan Bi-Directional Units
- LX EA - Centrifugal External (Weatherproofed)

# Heater

## Product Features

### Compact & Rigid Construction

The LX range is equal in size to the LNVx overall allowing for smaller space installations whilst still producing the same required kW power and performance. The LX shell has been improved where necessary to increase the heaters strength and rigidity throughout. As standard the heater is finished with RAL 7015 polyester powder coat stove baked paint.

### Burners

Multi in-shot burners matched to each tube assembly and manifolded to a common gas valve and ignition system, itself complete with flame monitoring and safety controls and supplied ready for use with natural gas (G20). Alternative LPG propane (G31) firing available with an optional conversion kit to order.



### Optimised Range & Heat Exchanger Options

The LX range has been optimised enabling environmental designers to match outputs and airflow characteristics with a wide variety of differing buildings and applications.

The four pass tubular assembly manufactured from aluminised steel, formed, swaged and expanded without recourse to stress inducing welding. 409 and 316 grade stainless steel options available.

### Reduced NOx Levels

Powrmatic's LX range of gas fired unit heaters are a development of the successful LNVx range already familiar to installers and users alike and comfortably meets new NOx criteria as well as the minimum seasonal efficiencies demanded by the ErP standard that comes into force during 2021.



### Anti Vibration Mounts

The LX axial fans are now manufactured with anti-vibration mounts which reduces vibration and noise in any environment allowing the unit to operate more quietly and efficiently.

### Easy Access Control Panel

The LX has been designed with engineers in mind. The hinged control panel allows easy access to the burner compartment during installation and servicing. The new 'Plug & Play' control panel allows for quick and trouble-free wiring connections when on site.

### Approvals

LX heaters are type tested and CE approved. In addition, LX heaters made available to the market 2021 onwards comply with the requirements of the Directive 2009/125/EC - Lot 21 Tier 2 (ErP) regulations.



# Technical Specification

LX

Model				15	20	25	30	35	40	50	60	70	90	120	140	
Output (nominal)	Nat Gas	High Fire (max)	kW	15.2	19.2	24.6	30.3	35.0	39.2	52.7	59.6	69.4	87.0	118.9	138.2	
		Low Fire (min)	kW	7.9	11.2	11.7	16.1	17.3	19.6	24.2	30.5	37.0	52.7	62.6	69.1	
	LPG	High Fire (max)	kW	15.9	18.8	27.0	30.0	33.2	39.9	53.9	59.2	69.4	90.4	119.4	138.5	
		Low Fire (min)	kW	7.9	9.1	13.0	14.9	16.7	21.3	23.8	25.8	37.5	53.3	49.4	81.9	
Input (nett CV)	Nat Gas	High Fire (max)	kW	16.04	20.5	26.8	33.2	38.4	42.5	57.6	64.8	75.9	93.3	127.5	149.9	
		Low Fire (min)	kW	8.2	11.4	12.5	16.7	18.3	20.7	26.0	32.2	39.5	56.3	66.5	72.8	
	LPG	High Fire (max)	kW	17.8	20.9	29.9	32.8	36.6	43.5	58.7	65.6	74.9	96.2	130.0	150.4	
		Low Fire (min)	kW	8.6	9.6	13.8	15.7	17.7	22.3	25.7	28.0	39.5	58.2	51.0	86.2	
NOx Seasonal (Gross)			mg/kWh	52.0	60.0	51.7	59.0	66.8	37.6	48.3	60.2	53.9	66.0	64.2	61.2	
Seasonal Space Heating Energy Eff.			% $\eta_{s,h}$	76.5	78.9	79.5	80.7	80.5	78.1	79.2	79.0	80.5	82.0	80.5	80.0	
Airflow Volume	LX F & V & C		m³/s	0.39	0.56	0.78	0.97	1.11	1.18	1.51	1.83	1.94	2.81	3.56	3.75	
	LX D	Min	m³/s	0.39	0.56	0.78	0.97	1.11	1.18	1.51	1.83	1.94	2.81	3.56	3.75	
		Max	m³/s	0.43	0.62	0.86	1.07	1.22	1.30	1.67	2.02	2.14	3.09	3.91	4.13	
Airflow	Throw	LX F	m	10	14	20	25	28	30	35	38	42	44	45	45	
	Fan Static	LX C	Pa	220	320	220	220	200	150	250	250	250	180	290	250	
Electrics	Supply	Standard	V/ph/Hz	230/1/50												
		Optional*	V/ph/Hz	400/3/50 *on Centrifugal Units Only. 3Ph units shown in brackets ()												
	LX F	Run	amp	0.9	1.0	1.0	1.2	1.7	1.3	1.8	2.5	2.4	3.2	4.6	4.7	
		Start	amp	1.9	2.0	2.0	2.4	4.0	2.7	4.0	5.0	4.0	6.0	8.0	8.0	
	LX C	Run	amp	2.0	3.1	4.2	4.3	4.7	5.8	7.6	10 (4.8)	10 (5.3)	12.8	17 (9.2)	20 (9.8)	
		Start	amp	5.0	8.5	13.3	14.0	15.6	18.0	26.3	29 (16.5)	38 (18)	31.0	40 (29.8)	44 (33.6)	
Fuel	Connection		BSP/Rc	$\frac{3}{4}$ "										1"		
	Nominal Inlet Pressure	Nat Gas	mbar	20.0												
		LPG	mbar	37.0												
	Consumption	Nat Gas	m³/h	1.70	2.17	2.83	3.51	4.06	4.49	6.09	6.85	8.03	9.88	13.50	15.86	
LPG		m³/h	0.73	0.86	1.22	1.34	1.50	1.78	2.40	2.69	3.06	3.94	5.32	6.15		
Mounting Height	LX F & Duo Crossflow	Min	m	2.5						3.0						
		Max	m	3.0				3.5		5.0						
	LX V Downflow	Min	m	2.5	4.0						5.0			6.0		
		Max	m	3.0	6.0				7.0		8.0			10.0	12.0	
Overall Dims	LX F	Height	mm	450	500	570	670	532	720	684	760	912	810	975	1140	
		Width	mm	997	997	997	997	1325	997	1325	1325	1325	1950	1950	1950	
		Depth	mm	859	869	819	834	918	839	938	915	915	938	915	915	
Install Clearance	All	Top	mm	200												
		LH Side	mm	200												
		RH Side	mm	1000												
		Rear	mm	400												
Flue	Diameter		mm $\emptyset$	80	80	80	100	100	100	100	130	130	130	130	130	
	Max Length	Flue Only	m	12												
		Room Sealed	m	6												
Combustion Air Spigot			mm $\emptyset$	80	80	80	100	100	100	100	130	130	130	130	130	
Noise Levels	LX F	dB(A)	48	47	47	47	50	58	59	59	60	63	64	64		
	LX C	dB(A)	55	55	54	54	n/a	60	60	62	62	66	67	67		
Nett Weight	LX F	kg	60	73	77	81	84	103	122	135	149	202	238	286		
	LX C	kg	71	84	86	94	108	122	143	170	213	329	364	430		
<b>Model</b>				<b>15</b>	<b>20</b>	<b>25</b>	<b>30</b>	<b>35</b>	<b>40</b>	<b>50</b>	<b>60</b>	<b>70</b>	<b>90</b>	<b>120</b>	<b>140</b>	

## Notes:

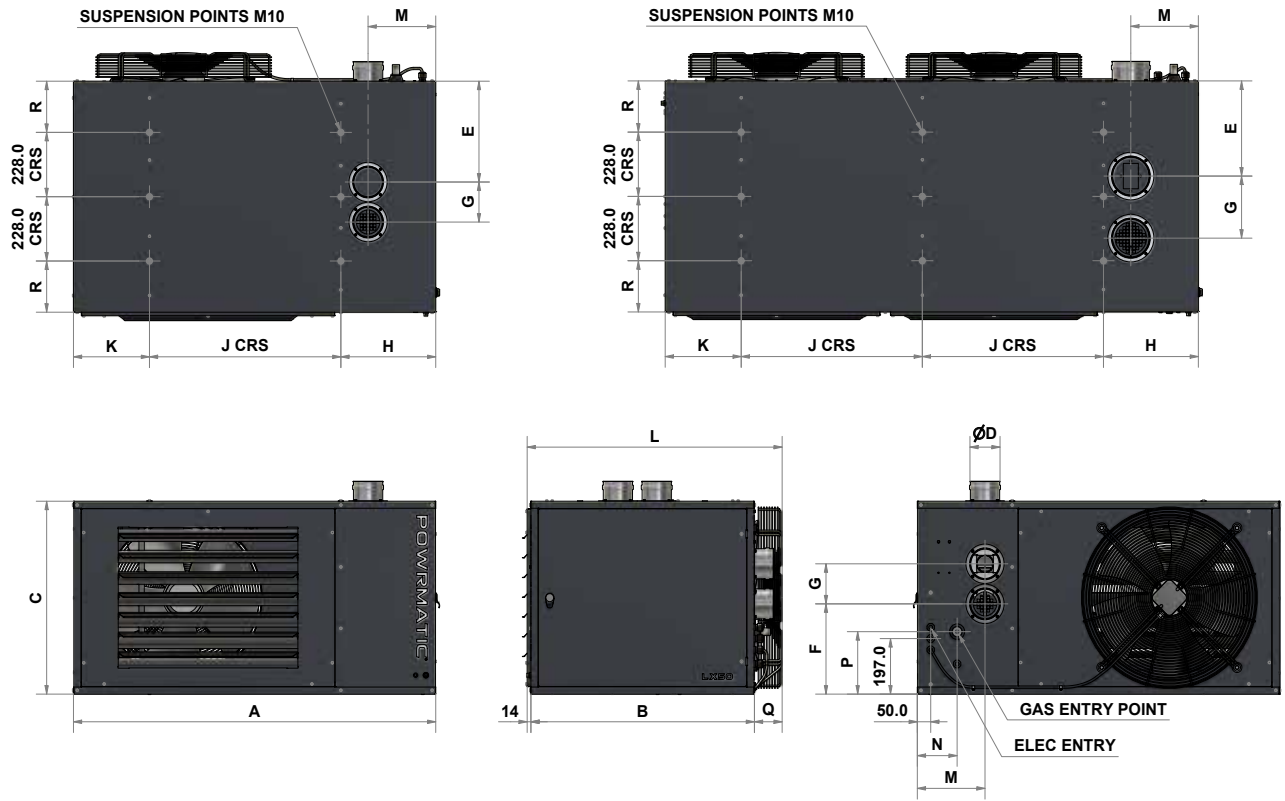
Fuel Consumption and input figures based upon nett calorific values as follows: -  
 Natural Gas (G20) nett CV 34.02 MJ/m³ - Propane (G31) nett CV 88.00 MJ/m³

- Heaters have efficiency levels which meet with the minimum heater efficiency requirements of UK Part L Building Regulations.
- LX heaters comply with the seasonal efficiency and NOx limits requirements of the Ecodesign regulation (EU) 2015/1188, Directive 2009/125/EC - Lot 21 Tier 2 (ErP)
- Air handling data is assessed at room ambient conditions
- Throw figures provide the distance to the point where the terminal velocity degrades to 0.25m/s

- Dimensions in the table above refer to LX F units only - for data on all other models refer to the dimensions page and/or the installation instructions.
- Noise levels are applicable to standard LX F, LX V and LX C models and are measured 5m from appliance in a free field.
- Motor kW, run and start amps apply to standard electrical supply as stated. For optional data contact sales office.
- Optional 3 phase direct drive centrifugal blowers shown in italics within brackets().
- Connection of combustion air duct is not required for 'flue only' applications.
- It is the responsibility of the installing contractor to ensure that ductwork is correctly sized and balanced when installing LX C Centrifugal units.

# Dimensions

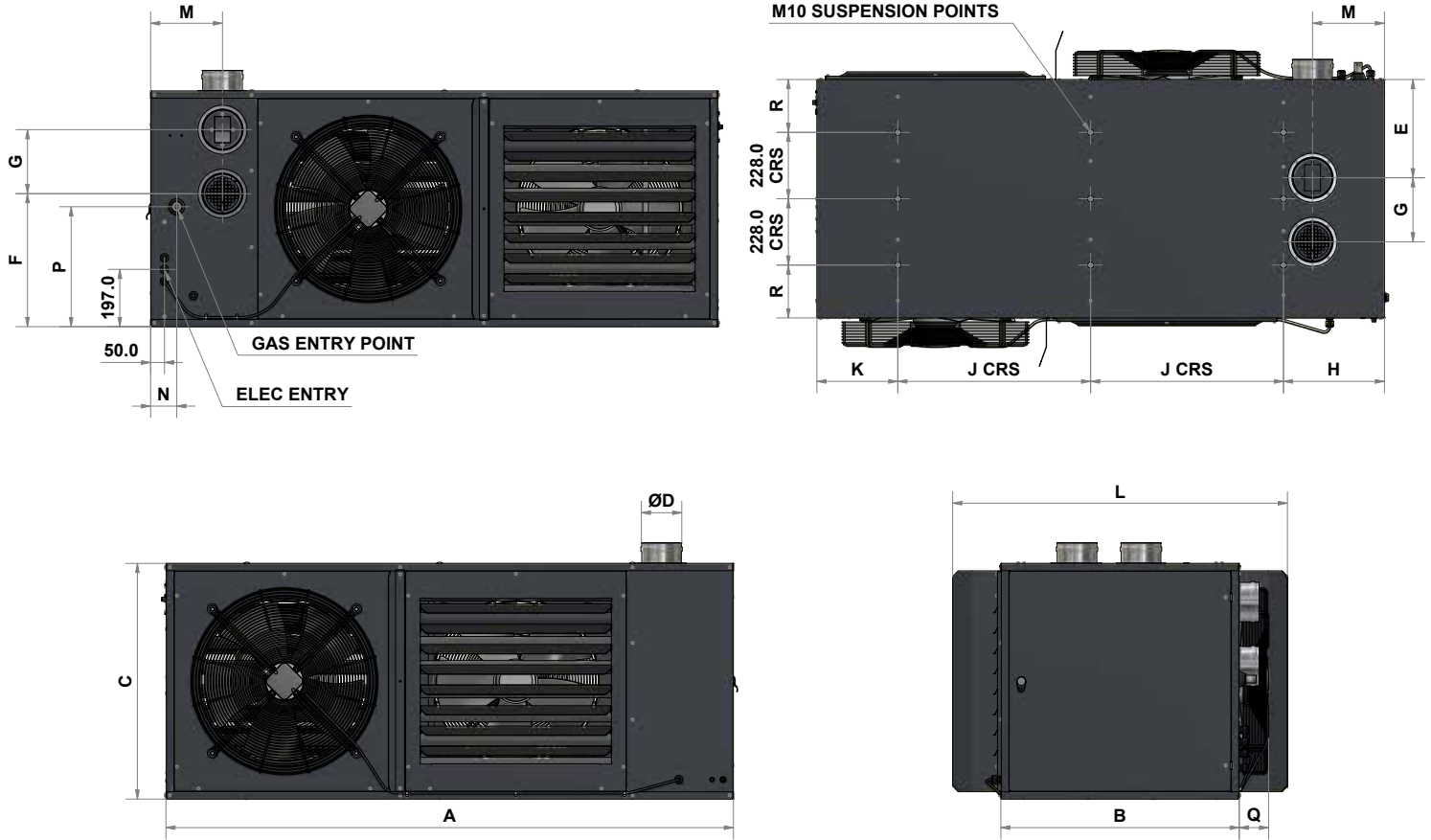
## LX F- Freeblowing



Model		15	20	25	30	35	40	50	60	70	90	120	140
A	mm	997	997	997	997	1325	997	1325	1325	1325	1950	1950	1950
B	mm	730	730	730	730	819	730	819	819	819	819	819	819
C	mm	450	500	570	670	532	720	684	760	912	810	975	1140
D $\emptyset$	mm	80	80	80	100	100	100	100	130	130	130	130	130
E	mm	268	268	268	268	357	268	357	357	357	337.5	337.5	337.5
F	mm	200	248	318	396	170	446	320	325	476	457	622	787
G	mm	120	120	120	142	142	142	142	220	220	220	220	220
H	mm	317	317	317	317	347	317	347	347	347	347	347	347
J	mm	450	450	450	450	700	450	700	700	700	662.5	662.5	662.5
K	mm	230	230	230	230	278	230	278	278	278	278	278	278
L	mm	859	869	819	834	918	834	938	915	915	938	915	915
M	mm	217.5	217.5	217.5	217.5	247.5	217.5	247.5	237	237	247	247	247
N	mm	117	117	117	117	145.5	117	145.5	145.5	145.5	90	90	90
P	mm	185	172	245	219.5	144	285	221.5	298	373.5	412	413	481
Q	mm	115	125	75	90	85	90	105	82	82	105	82	82
R	mm	137	137	137	137	181.5	137	181.5	181.5	181.5	181.5	181.5	181.5

# Dimensions

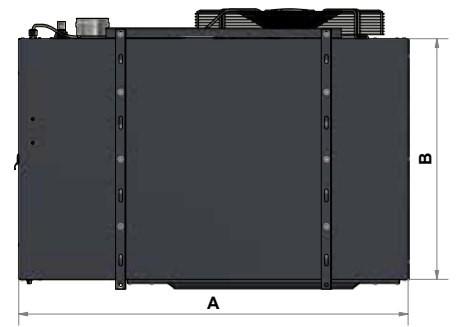
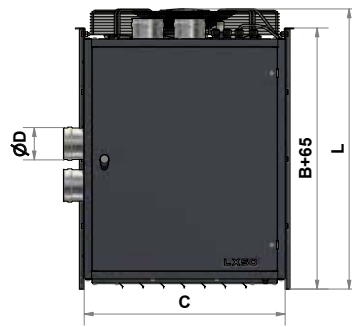
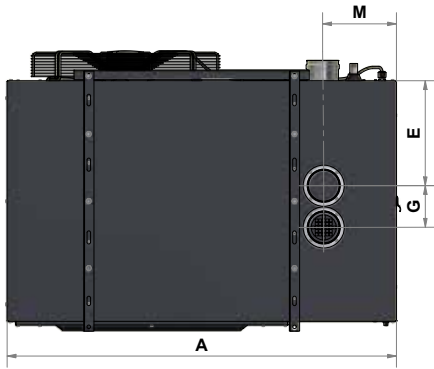
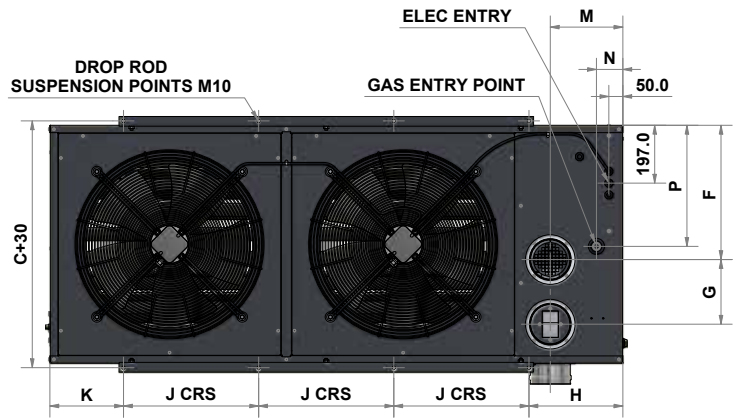
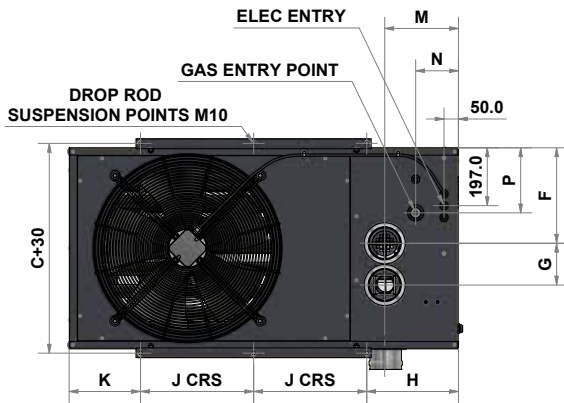
## LX Duo- Axial Fan Bi-directional Units



Model		90	120	140
A	mm	1950	1950	1950
B	mm	819	819	819
C	mm	810	975	1140
DØ	mm	130	130	130
E	mm	337.5	337.5	337.5
F	mm	457	622	787
G	mm	220	220	220
H	mm	347	347	347
J	mm	662.5	662.5	662.5
K	mm	278	278	278
L	mm	1150	1150	1150
M	mm	247	247	247
N	mm	90	90	90
P	mm	412	413	481
Q	mm	105	82	82
R	mm	181.5	181.5	181.5

# Dimensions

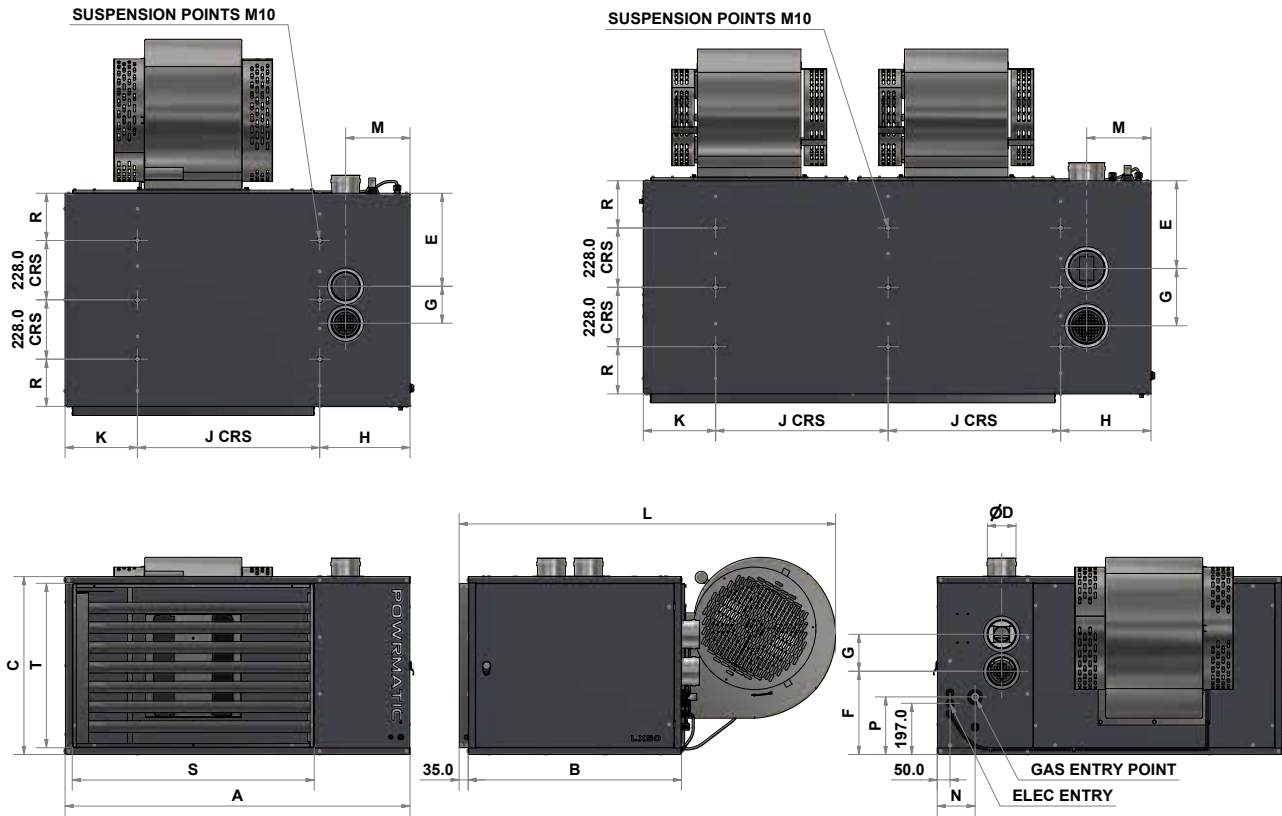
## LX V - Axial Fan Downflow



Model	15	20	25	30	35	40	50	60	70	90	120	140	
A	mm	997	997	997	997	1325	997	1325	1325	1325	1950	1950	1950
B	mm	730	730	730	730	819	730	819	819	819	819	819	819
C	mm	450	500	570	670	532	720	684	760	912	810	975	1140
DØ	mm	80	80	80	100	100	100	100	130	130	130	130	130
E	mm	268	268	268	268	357	268	357	357	357	337.5	337.5	337.5
F	mm	200	248	318	396	170	446	320	325	476	457	622	787
G	mm	120	120	120	142	142	142	142	220	220	220	220	220
H	mm	289.5	289.5	289.5	289.5	319.5	289.5	319.5	319.5	319.5	319.5	319.5	319.5
J	mm	260	260	260	260	385	260	385	385	385	460	460	460
K	mm	202.5	202.5	202.5	202.5	250.5	202.5	250.5	250.5	250.5	250.5	250.5	250.5
L	mm	875	885	835	850	934	850	954	929	929	954	929	929
M	mm	217.5	217.5	217.5	217.5	247.5	217.5	247.5	237	237	247	247	247
N	mm	117	117	117	117	145.5	117	145.5	145.5	145.5	90	90	90
P	mm	185	172	245	219.5	144	285	221.5	298	373.5	412	413	481

# Dimensions

## LX C- Centrifugal Close Coupled Fan Units

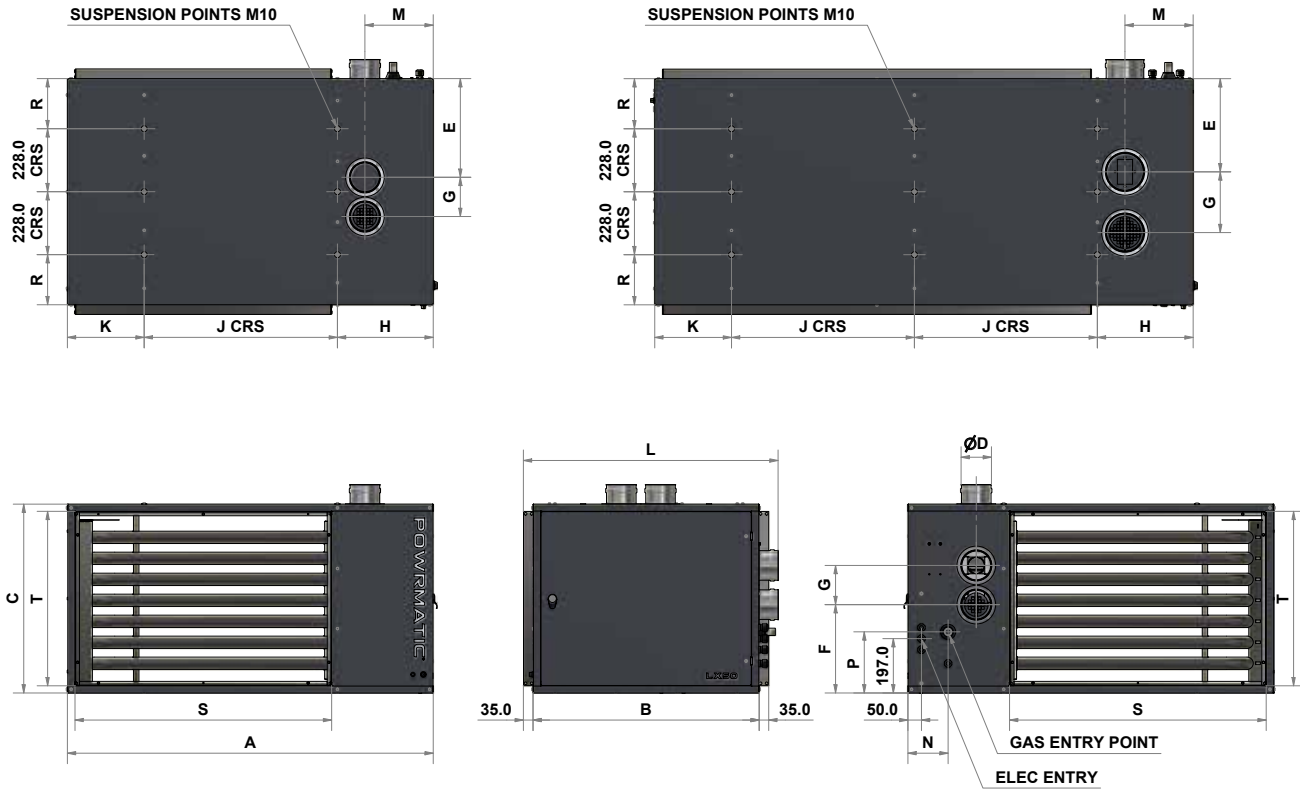


Model		15	20	25	30	35	40	50	60	70	90	120	140
A	mm	997	997	997	997	1325	997	1325	1325	1325	1950	1950	1950
B	mm	730	730	730	730	819	730	819	819	819	819	819	819
C	mm	450	500	570	670	532	720	684	760	912	810	975	1140
DØ	mm	80	80	80	100	100	100	100	130	130	130	130	130
E	mm	268	268	268	268	357	268	357	357	357	337.5	337.5	337.5
F	mm	200	248	318	396	170	446	320	325	476	457	622	787
G	mm	120	120	120	142	142	142	142	220	220	220	220	220
H	mm	317	317	317	317	347	317	347	347	347	347	347	347
J	mm	450	450	450	450	700	450	700	700	700	662.5	662.5	662.5
K	mm	230	230	230	230	278	230	278	278	278	278	278	278
L	mm	1160	1205	1205	1275	1365	1275	1450	1450	1450	1365	1450	1450
M	mm	217.5	217.5	217.5	217.5	247.5	217.5	247.5	237	237	247	247	247
N	mm	117	117	117	117	145.5	117	145.5	145.5	145.5	90	90	90
P	mm	185	172	245	219.5	144	285	221.5	298	373.5	412	413	481
R	mm	137	137	137	137	181.5	137	181.5	181.5	181.5	181.5	181.5	181.5
S	mm	630	630	630	630	927	630	927	927	927	1552	1552	1552
T	mm	376	446	516	616	478	666	631	707	858	757	922	1087



# Dimensions

## LX D Ducted Heat Module (No fan)

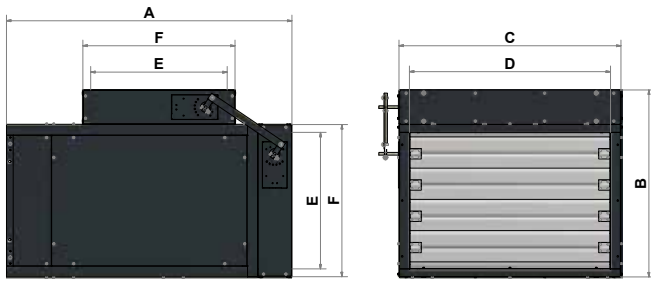


Model	15	20	25	30	35	40	50	60	70	90	120	140	
A	mm	997	997	997	997	1325	997	1325	1325	1325	1950	1950	1950
B	mm	730	730	730	730	819	730	819	819	819	819	819	819
C	mm	450	500	570	670	532	720	684	760	912	810	975	1140
DØ	mm	80	80	80	100	100	100	100	130	130	130	130	130
E	mm	268	268	268	268	357	268	357	357	357	337.5	337.5	337.5
F	mm	200	248	318	396	170	446	320	325	476	457	622	787
G	mm	120	120	120	142	142	142	142	220	220	220	220	220
H	mm	317	317	317	317	347	317	347	347	347	347	347	347
J	mm	450	450	450	450	700	450	700	700	700	662.5	662.5	662.5
K	mm	230	230	230	230	278	230	278	278	278	278	278	278
L	mm	834	834	834	834	924	834	924	924	924	924	924	924
M	mm	217.5	217.5	217.5	217.5	247.5	217.5	247.5	237	237	247	247	247
N	mm	117	117	117	117	145.5	117	145.5	145.5	145.5	90	90	90
P	mm	185	172	245	219.5	144	285	221.5	298	373.5	412	413	481
R	mm	137	137	137	137	181.5	137	181.5	181.5	181.5	181.5	181.5	181.5
S	mm	630	630	630	630	927	630	927	927	927	1552	1552	1552
T	mm	376	446	516	616	478	666	631	707	858	757	922	1087

# Heater Options

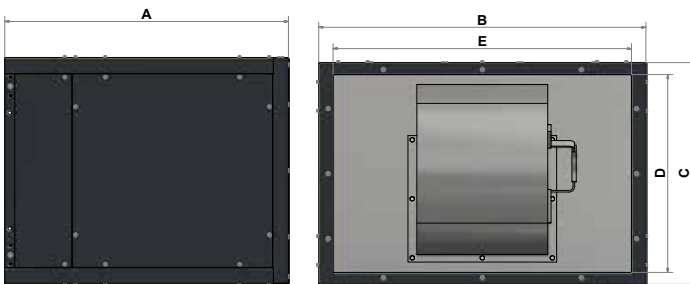
LX

## Mixing Box - (LX C Models Only)



Model	Part Number	Dimensions (mm)					
		A	B	C	D	E	F
LX 15/20/25	LX15/MB	1160	730	696	600	498	570
LX 30	LX30/MB	1160	830	696	600	598	670
LX 35	LX35/MB	1285	845	994	900	613	685
LX 40	LX40/MB	1160	880	696	600	648	720
LX 50	LX50/MB	1285	845	994	900	613	685
LX 60	LX60/MB	1285	920	994	900	688	760
LX 70	LX70/MB	1285	1070	994	900	838	910
LX 90	LX90/MB	1285	970	1620	1526	738	810
LX 120	LX120/MB	1285	1135	1620	1526	903	975
LX 140	LX140/MB	1455	1300	1620	1526	1068	1140

## Fan Plenum Box - (LX C Models Only)

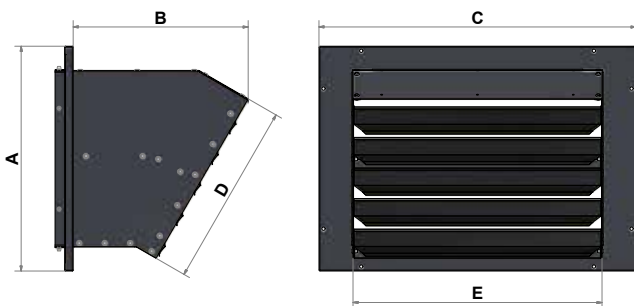


Model	Part Number	Dimensions (mm)				
		A	B	C	D	E
LX 15/20/25	LX15/FS	750	696	570	480	622
LX 30	LX30/FS	750	696	670	580	622
LX 35	LX35/FS	850	994	685	595	920
LX 40	LX40/FS	750	696	720	630	622
LX 50	LX50/FS	850	994	685	595	920
LX 60	LX60/FS	850	994	760	670	920
LX 70	LX70/FS	850	994	910	820	920
LX 90	LX90/FS	850	1620	810	720	1546
LX 120	LX120/FS	850	1620	975	885	1546
LX 140	LX140/FS	850	1620	1140	1050	1546

## Accessories

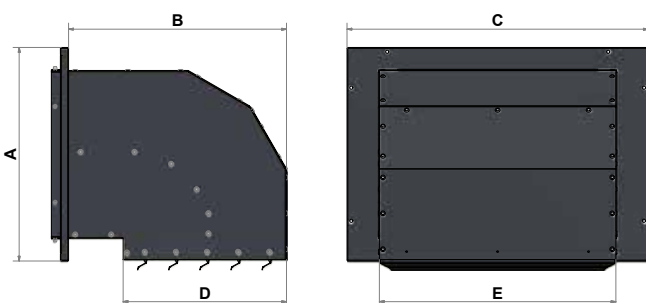
LX

### 30° Downflow Head c/w 4 Way Louvre (LX F Models)



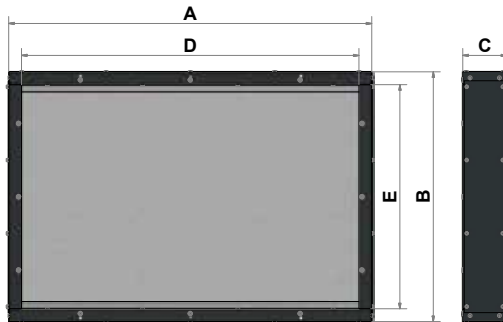
Model	Part Number	Dimensions (mm)				
		A	B	C	D	E
LX 15	LX15-30DH	376	305	630	280	494
LX 20	LX20-30DH	446	340	630	350	494
LX 25	LX25-30DH	516	375	630	420	494
LX 30	LX30-30DH	616	410	630	500	494
LX 35	LX35-30DH	478	340	927	350	660
LX 40	LX40-30DH	666	450	630	570	494
LX 50	LX50-30DH	631	415	927	500	660
LX 60	LX60-30DH	707	415	927	500	660
LX 70	LX70-30DH	858	480	927	630	660
LX 90	LX90-30DH	757	450	757	570	660
LX 120	LX120-30DH	922	520	757	710	660
LX 140	LX140-30DH	1087	590	757	850	660

### 90° Downflow Head c/w 4 Way Louvre - (LX F Models)



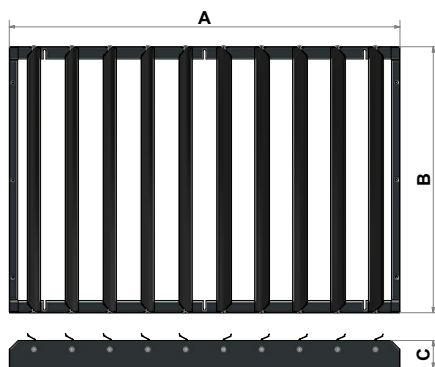
Model	Part Number	Dimensions (mm)				
		A	B	C	D	E
LX 15	LX15-90DH	396	430	630	280	494
LX 20	LX20-90DH	446	500	630	350	494
LX 25	LX25-90DH	516	570	630	420	494
LX 30	LX30-90DH	616	650	630	500	494
LX 35	LX35-90DH	478	500	927	350	660
LX 40	LX40-90DH	666	720	630	570	494
LX 50	LX50-90DH	631	650	927	500	660
LX 60	LX60-90DH	707	650	927	500	660
LX 75	LX70-90DH	858	780	927	630	660
LX 90	LX90-90DH	757	720	757	570	660
LX 120	LX120-90DH	922	860	757	710	660
LX 140	LX140-90DH	1087	1000	757	850	660

## Filter Box - (LX C Models Only)



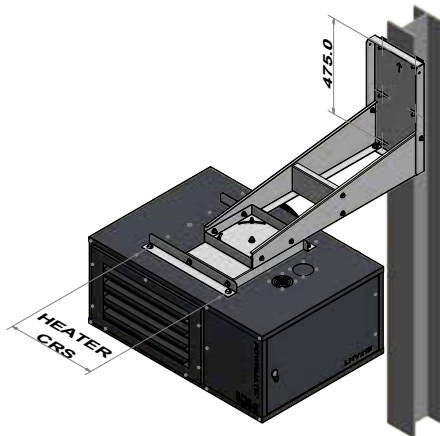
Model	Part Number	Dimensions (mm)				
		A	B	C	D	E
LX 15/20/25	LX15-FB	696	570	120	626	500
LX 30	LX30-FB	696	670	120	626	600
LX 35	LX35-FB	994	685	120	924	615
LX 40	LX40-FB	696	720	120	626	650
LX 50	LX50-FB	994	685	120	924	615
LX 60	LX60-FB	994	760	120	924	690
LX 70	LX70-FB	994	910	120	924	840
LX 90	LX90-FB	1620	810	120	1550	740
LX 120	LX120-FB	1620	975	120	1550	905

## Vertical Louvres (For Use On All Models)



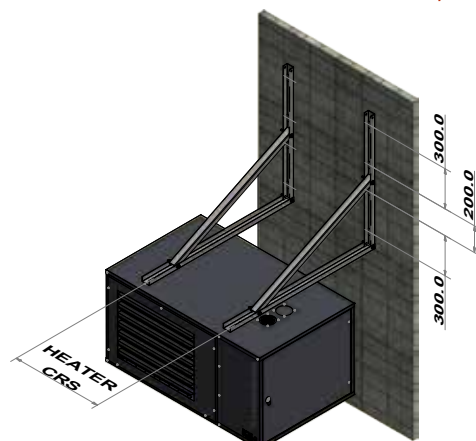
Model	Part Number	Dimensions (mm)		
		A	B	C
LX 15	LX15-VL	630	376	65
LX 20	LX20-VL	630	446	65
LX 25	LX25-VL	630	516	65
LX 30	LX30-VL	630	616	65
LX 35	LX35-VL	927	478	65
LX 40	LX40-VL	630	666	65
LX 50	LX50-VL	927	631	65
LX 60	LX60-VL	927	707	65
LX 70	LX70-VL	927	858	65
LX 90	LX90-VL	757	757	65
LX 120	LX120-VL	757	922	65
LX 140	LX140-VL	757	1087	65

## Swivel Wall Bracket - (LX F Models Only)



Model	Part Number
LX 15 - 70	LX15-70SWB
LX 90 - 140	N/A

## Cantilever Wall Bracket - (LX F Models Only)



Model	Part Number
LX 15 - 70	LX15-70WB
LX 90 - 140	LX90-140WB

### Notes:

- Dimensions for the swivel and cantilever brackets remain the same for all LX models
- Swivel Brackets can not be used with double units

# Control Options

LX

A choice of control options are available for the LX range. 5 heaters can now be controlled using the new MC300 Multi from a single master control. Visit our website to find out more about our controls systems.

## MC200



The MC200 is a digital, high specification controller for individual heaters that provides the flexibility of variable time and temperature control as well as optimised start/stop prediction. It has the ability to set a variety of time and temperature programs, whilst still enabling the user to adjust the temperature within controlled limits if required. Adjustable frost protection protects against low temperatures. The MC200 also allows for remote burner fault reset, and summer fan only operation.

The MC200 features password-controlled access, This can be locked in various combinations to allow different levels of password-controlled access for different users. There are two levels of password-controlled access, the second level being for use by commissioning and servicing engineers.

## MC300 Multi

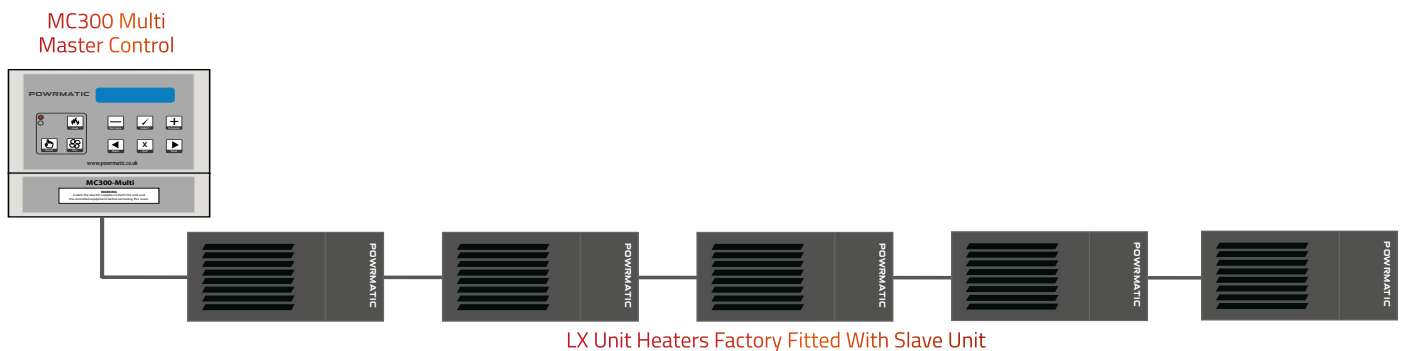


Powrmatic's new MC300 'Multi' digital controller enables the control of up to 5 multiple cabinet and unit air heaters and features optimum start/stop with weather compensation, adjustable frost protection, remote burner reset and summer fan-only operation as standard.

Thanks to the slave units being factory fitted within each heater prior to delivery, the MC300 'Multi' delivers significant savings on the time and cost of installation compared to single unit control systems. Further cost reductions are achieved through the use of low voltage control wiring (5-core for on/off, 6-core for high/low, 7-core for modulating units).

The MC300 Multi also features password-controlled access, This can be locked in various combinations to allow different levels of password-controlled access for different users. There are two levels of password-controlled access, the second level being for use by commissioning and servicing engineers.

Here is an example of how multiple heaters can be connected with the MC300 Multi.



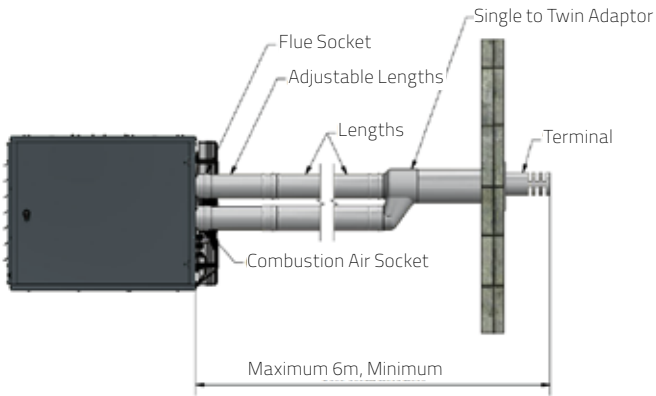
Need help with your control system?  
Check out our YouTube Channel  
for our helpful 'How To' tutorials.



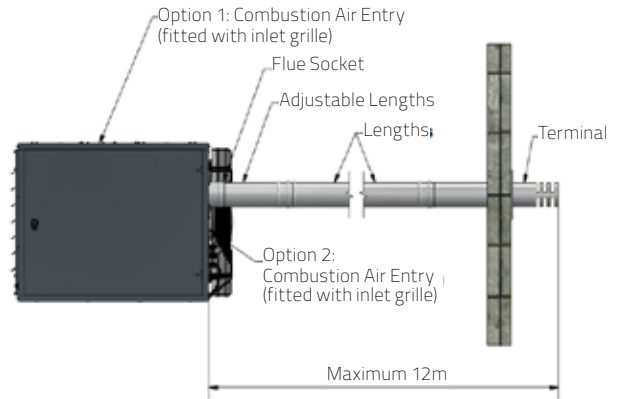
# Flue Arrangements

## Room Sealed & Flue Only Flue Systems

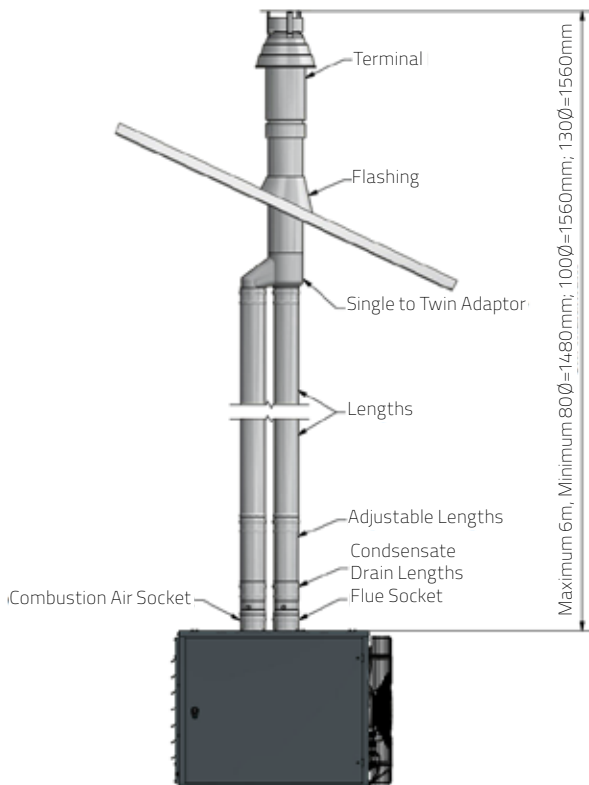
### Room Sealed - Horizontal Flue System



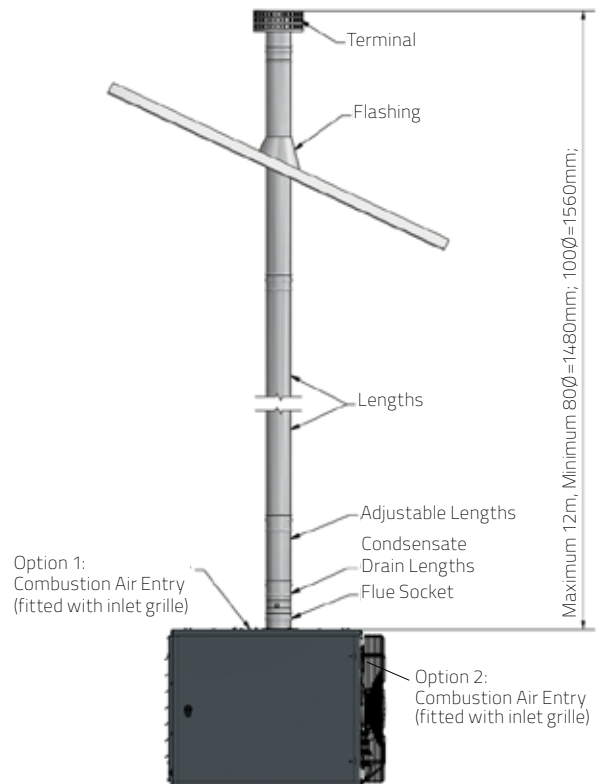
### Flue Only- Horizontal Flue System



### Room Sealed - Vertical Flue System



### Flue Only- Vertical Flue System



#### Notes for all systems:

- Maximum flue/combustion air length is 6m and on flue only installations maximum flue length is 12m.
- Final overall length of adjustable disconnection piece must be between 360-415mm.
- 45° offsets may be used if required. Each set is equivalent to 0.5m of flue length.
- 90° offsets may be used if required. Each set is equivalent to 1m of flue length.
- Where LX heaters are used in clean environments it is permissible to take the combustion air directly from the heated space. The supplied mesh intake plate must be fitted to the combustion air inlet on the rear of the heater.
- If fitted with vertical flue, Powrmatic recommend the installation of a condensate drain length.

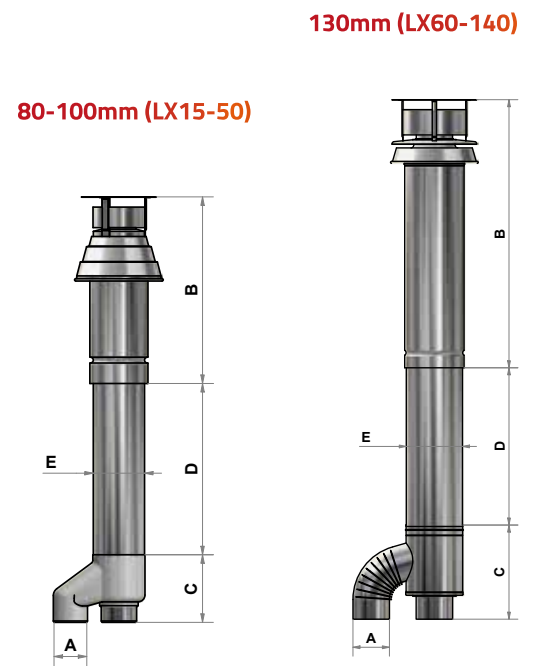
# Flue Components

## Vertical & Horizontal Flue Kits

### Concentric Vertical Terminal Kit

Unit	Part Number	A mm	B mm	C mm	D mm	E mm
LX 15 - 25	NVC/VTK1	80	605	153	630	125
LX 30 - 50	NVC/VTK2	100	550	198	770	150
LX 60 - 140	NVC/VTK3	130	955	335	560	200

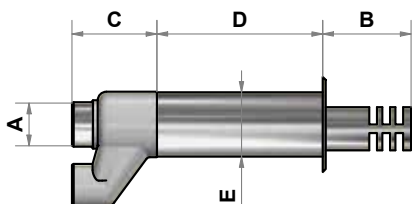
Description	VX 35-50 (100mm)	VX 70-140 (130mm)
	Part No.	Part No.
224mm Installed Length - Single Wall	PM4010310	PM4010313
474mm Installed Length - Single Wall	PM4010210	PM4010213
974mm Installed Length - Single Wall	PM4010110	PM4010113
Single wall 63mm-306mm adjustable length	PM4014410	PM4014413
Condensate length (200mm)	PM00015A	PM00016A
Single wall 45° elbow	PM4012310	PM4012313
Single wall 90° elbow	PM4012810	PM4012813
Single wall vertical gas terminal	PM4006110	PM4006113
Single wall horizontal gas terminal	PM2510101	PM2520101
Single wall locking band	PM4017010	PM4017013
Single wall individual wall band	PMSW/IWB2	PMSW/IWB3
Single wall double wall band	PMSW/DWB2	PMSW/DWB3
Single wall high temperature flashing	800014026	800014028
Concentric high temperature flashing	800014028	800014030
Concentric vertical terminal	NVC/VTK2	NVC/VTK3
Concentric horizontal terminal	NVC/HTK2	NVC/HTK3
Concentric - vertical flue kit	NVC/VFK2	NVC/VFK3
Concentric - horizontal flue kit	VPX/HFK2	VPX/HFK3



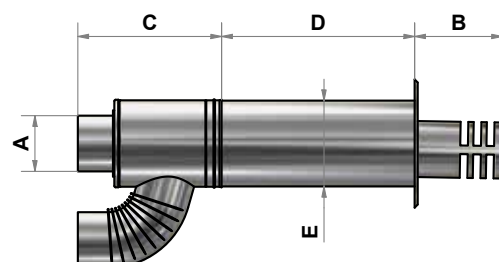
### Concentric Horizontal Terminal Kit

Unit	Part Number	A mm	B mm	C mm	D mm	E mm
LX 15 - 25	NVC/HTK1	80	180	153	560	125
LX 30 - 50	NVC/HTK2	100	180	198	560	150
LX 60 - 140	NVC/HTK3	130	190	300	420	200

80-100mm (LX15-50)



130mm (LX60-140)



## General

The following notes are provided as a guide, however installers and operators should fully acquaint themselves with the more detailed guidance provided in the relevant installation manual. For copies of such manuals please consult our technical department or visit our website - [www.powrmatic.co.uk](http://www.powrmatic.co.uk)

## Standards

All Powrmatic LX heaters must be installed, commissioned and operated with due regard to appropriate regulations including but not limited to BS6230:2011, relevant Codes of Practice, the possible requirements of Local Authorities, Fire Officers and insurers as well as Powrmatic's installation manual.

## Position & Location

Powrmatic LX heaters can be 'drop rod' suspended via purpose designed M10 suspension fixing points, attached to our optional wall support brackets or positioned on a level non-combustible base. In all cases it is important that all supporting structures have due regard to the relevant weight loadings.

Consideration should also be given to flue routes and points of exit, gas, electrical and control connections, the throw characteristics of the heater, issues of public access and the siting of environmental control stations and/or remote temperature sensors where the position needs to be representative of the zone temperature to which they refer.

Heaters should not be installed in hazardous areas or areas where there is a foreseeable risk of flammable or corrosion inducing particles, gases or vapours being drawn into the combustion air or main fan circuits.

Areas where special consideration or advice may be required could include but is not limited to -

- Where de-greasing solvents are present, even in minute concentrations
- Where paint spraying is carried out
- Where styrenes or other laminating products are used
- Where airborne silicone is present
- Where petrol engined vehicles are stored or maintained
- Where dust is present (i.e. wood working or joinery shops)
- Where high levels of extract persist

Installation in such areas may be possible under specific conditions. Please consult our technical department or your local sales manager for further information.

## Plant Room or Enclosure Locations

It is recommended that you consult our technical department or your local sales manager.

## Installation Clearances

Particular clearances may be necessary for the correct and safe function of the heater as well as for maintenance purposes. Such clearances are confirmed in the relevant installation manual.

## Combustion Air & General Ventilation

Within the United Kingdom mandatory regulations apply concerning the provision of combustion air and general heater ventilation. Where a heater is installed in room sealed mode (i.e. where both the flue exit and combustion air are positively connected to atmosphere) then there is no specific requirement for combustion air ventilation. However, depending upon location, provision for general ventilation may still be a necessity.

If the heater is installed in flue only mode and directly within the heated space and where that heated space has a natural ventilation rate greater than 0.5 air changes per hour then combustion air and general heater ventilation is probably not required. If the heated space has a natural ventilation rate of less than 0.5 air changes per hour then either natural ventilator openings or mechanical ventilation will be required. Please consult the installation manual for further details.

## Flue

Powrmatic LX heaters can be installed in either room sealed or flue only mode. Each heater requires a separate flue and/or combustion air intake system of the appropriate size and type. Installers are reminded that type approval has been granted for these appliances on the basis that they are fitted with Powrmatic LX flue systems. Maximum lengths apply and should be strictly observed.

Systems may be installed in either the horizontal or vertical plane. In either case the number of bends kept to a minimum and regard must be given to the reduction in permissible length with the addition of each bend. The flue must be adequately supported and terminated with the approved terminal assembly, with due regard to the point of exit and it's proximity to any windows, doors or ventilation intakes etc.

## Pipework

Care should be taken when sizing pipe work to ensure that minimum gas inlet pressures are not compromised under dynamic load conditions. Isolating valves and service unions should be provided for each heater and pipe work installed with due regard for relevant standards and Codes of Practice.

## Guarantee

Powrmatic LX heaters are provided with a comprehensive guarantee covering both the heater and the heat exchanger. For United Kingdom sales the heater has the benefit of a two year parts and one year labour guarantee whilst the heat exchanger assembly has a ten year time related sliding scale warranty. All guarantees are subject to terms and conditions.



**TIME RELATED  
HEAT EXCHANGER  
WARRANTY**

# About Us

Powrmatic design, develop and deliver HVAC solutions worldwide across a wide range of commercial and industrial applications creating comfortable and safe environments, differentiated through innovation, integrity, compliance and service.

Our specialised HVAC divisions:

## Heating

Industrial and commercial warm air and radiant space heating solutions manufactured to achieve efficient performance, compliance and reliability for every application in partnership with the HVAC trade.

## Ventilation

Custom designed highly efficient, cost-effective smoke, natural and powered ventilators manufactured to meet project requirements of building operators, architects, specifiers and contractors.

## Air Conditioning

Worldwide distributors of innovative wall mounted heat pumps air conditioner technology providing efficient comfort cooling and heating all year round.

## Engineered Products

Bespoke heating and ventilation solutions designed to serve individual customers specific project requirements. In addition our OEM products provide partner AHU manufacturers with high quality energy efficient gas fired heat exchangers.

## Contact Us

Powrmatic Limited  
Hort Bridge, Ilminster  
Somerset  
TA19 9PS  
tel: **+44 (0) 1460 53535**  
fax: **+44 (0) 1460 52341**  
e-mail: **info@powrmatic.co.uk**



#keepingthenationwarm

Powrmatic Ireland  
45 Broomhill Close  
Tallaght  
Dublin 24  
tel: **+353 (0) 1452 1533**  
fax: **+353 (0) 1452 1764**  
e-mail: **info@powrmatic.ie**



Powrmatic pursues a policy of continuous improvement in both design and performance of its products and therefore reserves the right to change, amend or vary specifications without notice. Whilst the details contained herein are believed to be correct they do not form the basis of any contract and interested parties should contact the Company to confirm whether any material alterations have been made since publication of this brochure.