

# TB140

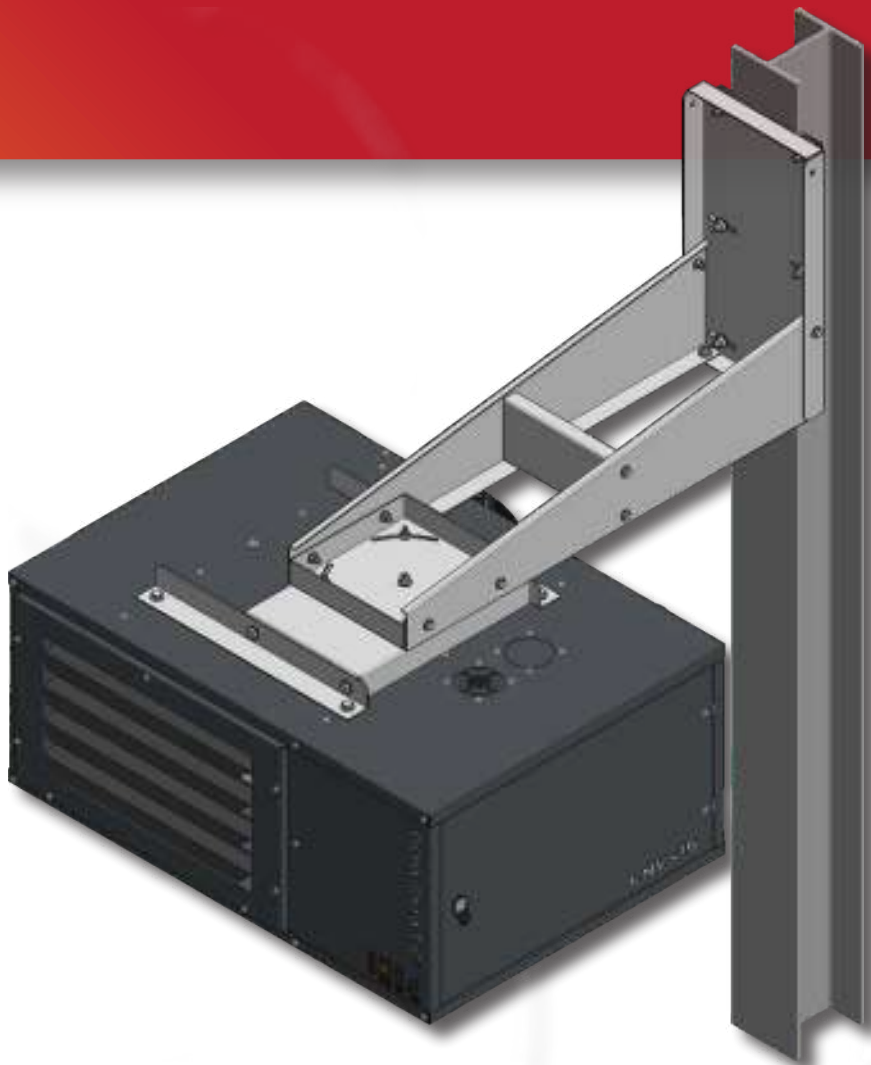
Applies to models:

LNVx



# LNVx

## Swivel Bracket Instructions



# General Information

The swivel mounting allows you to adjust the direction of LNVx warm air unit heater for maximum flexibility and comfort. The swiveling heater top plate can be adjusted +/- 22.5° giving 45° of adjustment from the vertical plane over fixed cantilever style bracketry.

These assembly instructions describe the parts required and procedures to be carried out when assembling and fixing this bracket.

Total weight of the bracket assembly is 25Kg.



**WARNING:** The method of installation must be capable of adequately supporting the weight of the bracket and the weight of the heater. Before installing the heater the existing structure must be inspected to ensure it is suitable. All supports should be protected against the effects of rust or corrosion.

Raise the heater up to the point of installation using suitable and safe means and connect to the means of suspension.

## Parts & Tools required

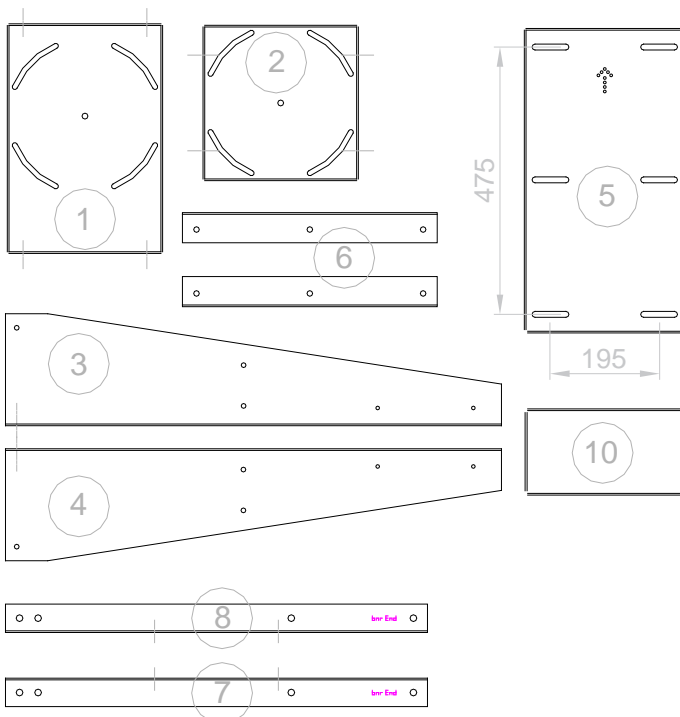


Drill plus bits



Spanner Set

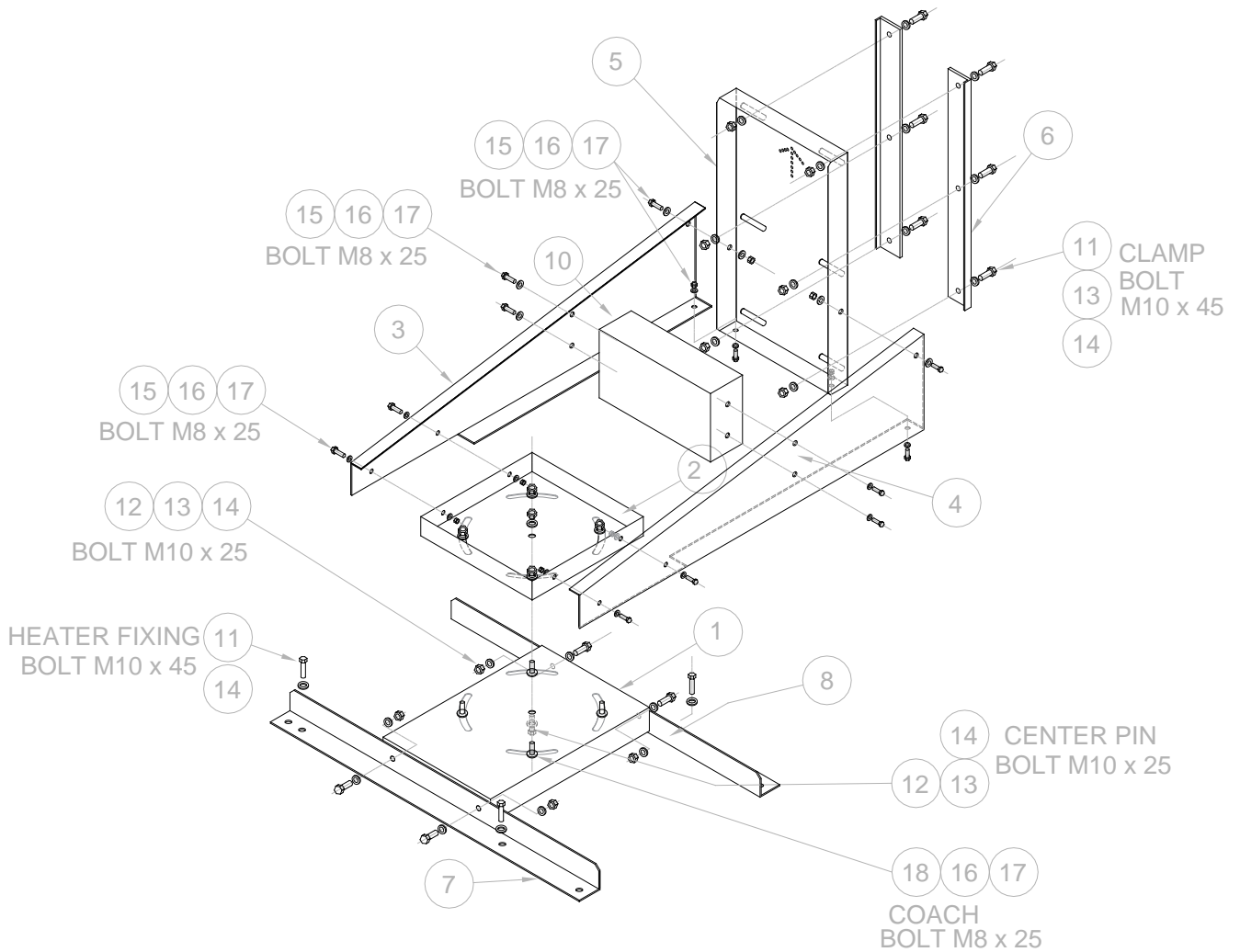
### Components



#	Part No.	Description	Qty
1	NVXSTD00921	HEATER TOP PLATE	1
2	NVXSTD00931	ARM SWIVEL PLATE	1
3	NVXSTD00941	R/H ARM	1
4	NVXSTD00942	L/H ARM	1
5	NVXSTD00951	BACK PLATE	1
6	NVXSTD00961	CLAMP BRACKET	2
7	LNVXSTD01101	FRONT MTG ANGLE	1
8	LNVXSTD01102	REAR MTG ANGLE	1
9			
10	NVXSTD00910	SWIVEL ARM BRACE	1
11	180001805	M10 x 45 HEX BOLT	10
12	180001712	M10 x 25 HEX BOLT	5
13	180007403	M10 NYLOC	11
14	180008401	M10 FORM 'C' WASHER	24
15	180001508	M8 x 25 HEX BOLT	12
16	180007351	M8 NYLOC	16
17	180008302	M8 FORM 'C' WASHER	28
18	180009710	M8 x 25 COACH BOLT	4

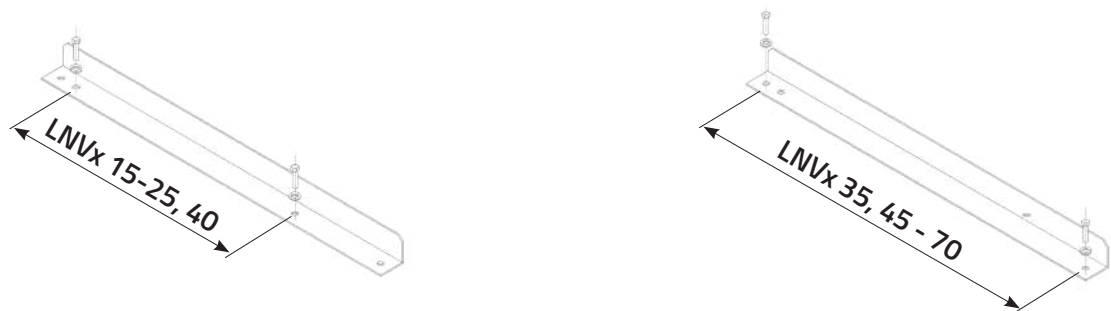
## Exploded Diagram of Components

refer to table on previous page

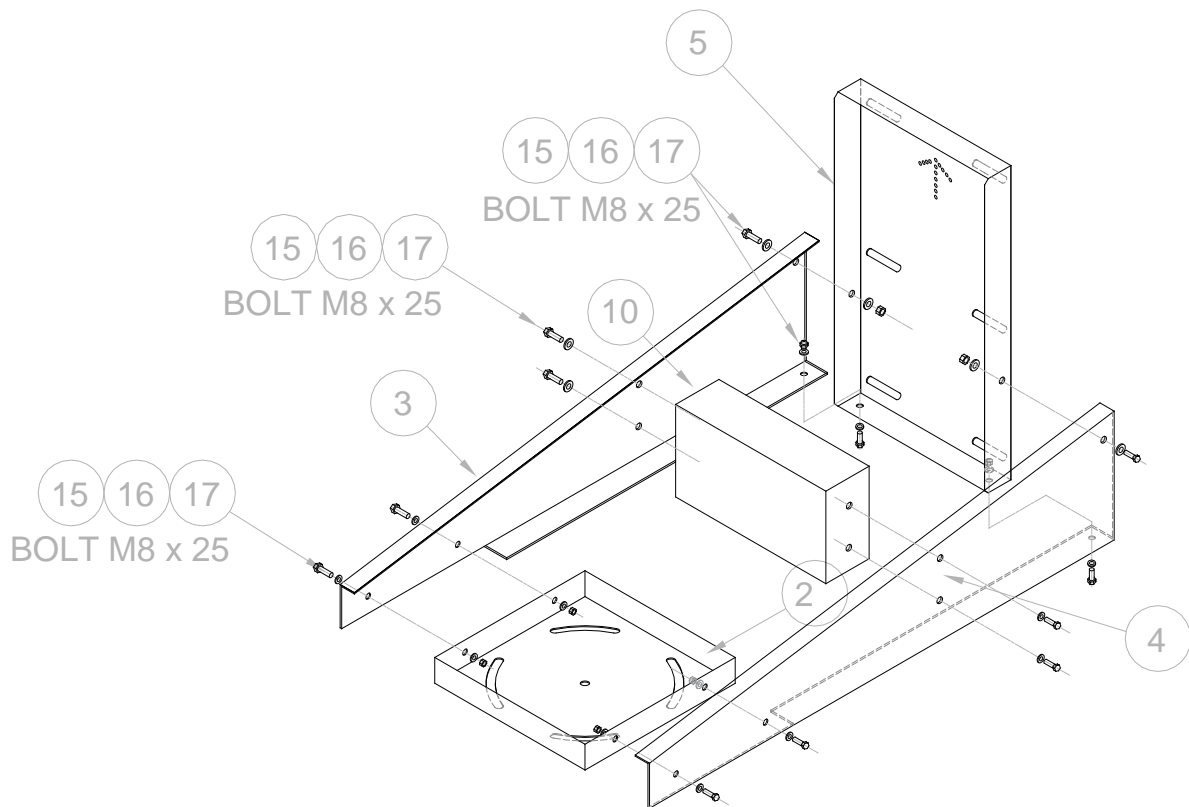


## Item 7 & 8 - front and Rear Mounting Angle Section

There are four fixing points on each bracket to cover the sizes 15 through 70.  
 Inner two mounting holes for LNVx15, 20, 25 & 40  
 Outer two mounting holes for LNVx35, 45, 50, 60 & 70



# Procedure



## Swivel Arm Plate Assembly

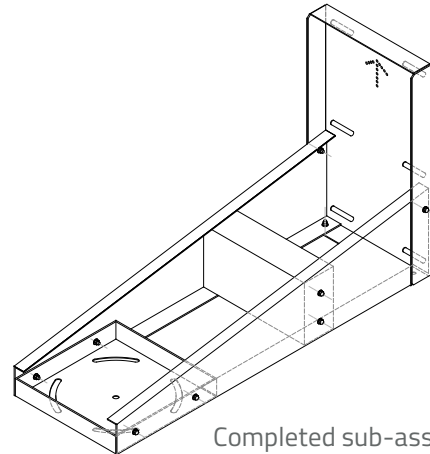
Locate item 2 (Arm Swivel Plate), item 3 (Right Hand Arm), item 4 (Left Hand Arm), & 10 (Swivel Arm Brace).

Ensure items 2, 3 & 4 are in the correct orientation as per diagram above and fix using M8 x 25 bolts, nuts and washers.

Slide swivel arm brace (10) through into position and fix with M8 x 25 bolts, nuts and washers.

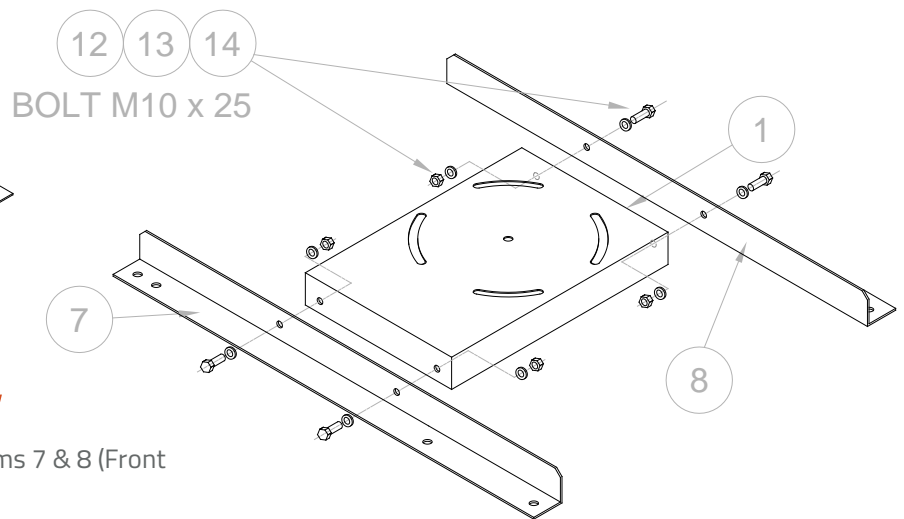
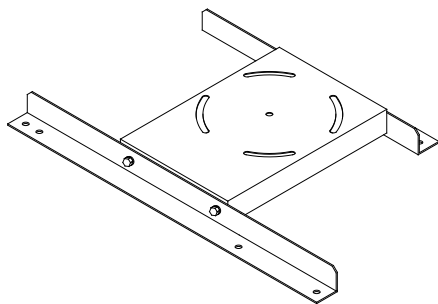
Position assembly inside Back Plate (5) ensuring arrow is uppermost. Fix using M8 x 25 bolts, nuts and washers.

Ensure all fixings are tight.



Completed sub-assembly.

Completed sub-assembly.

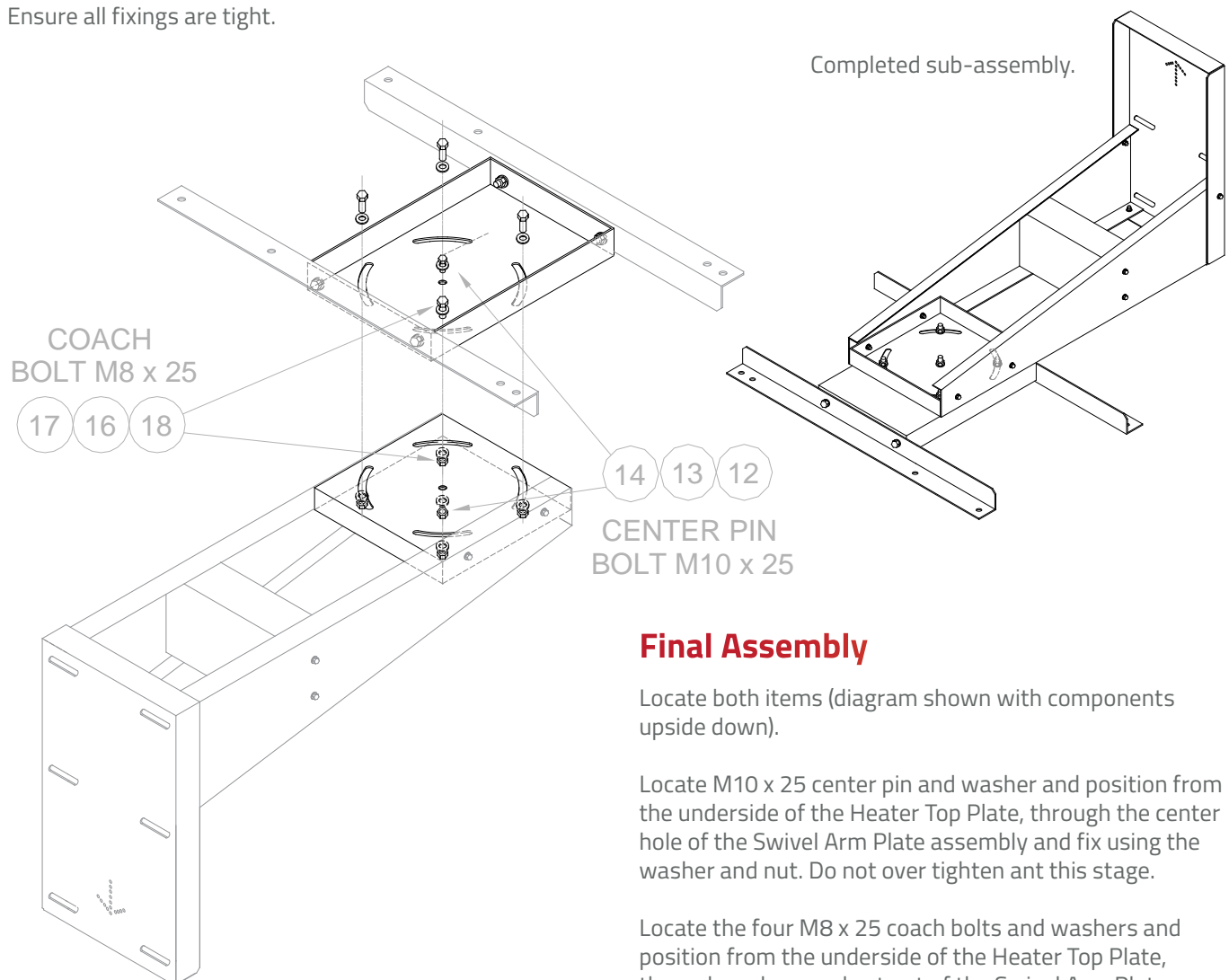


## Heater Top Plate Assembly

Locate item 1 (Heater Top Plate and items 7 & 8 (Front and Rear Mounting Angle)

Ensure all items are in the correct orientation as per diagram above and fix using M10 x 25 bolts, nuts and washers.

Ensure all fixings are tight.



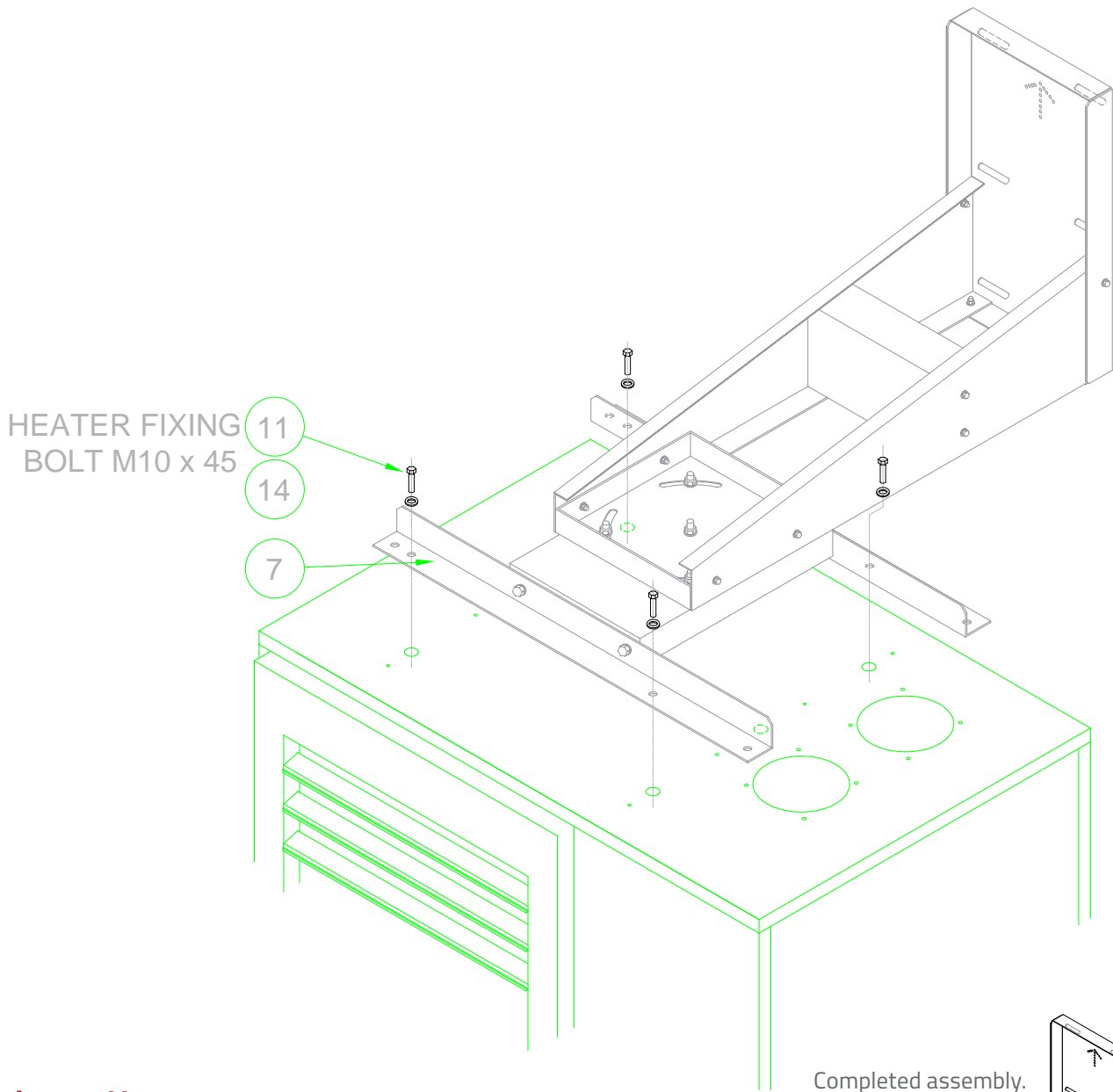
## Final Assembly

Locate both items (diagram shown with components upside down).

Locate M10 x 25 center pin and washer and position from the underside of the Heater Top Plate, through the center hole of the Swivel Arm Plate assembly and fix using the washer and nut. Do not over tighten ant this stage.

Locate the four M8 x 25 coach bolts and washers and position from the underside of the Heater Top Plate, through each curved cut out of the Swivel Arm Plate assembly and fix using the washer and nut. Do not over tighten ant this stage.

# Procedure

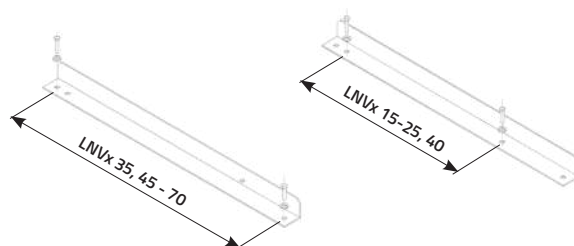


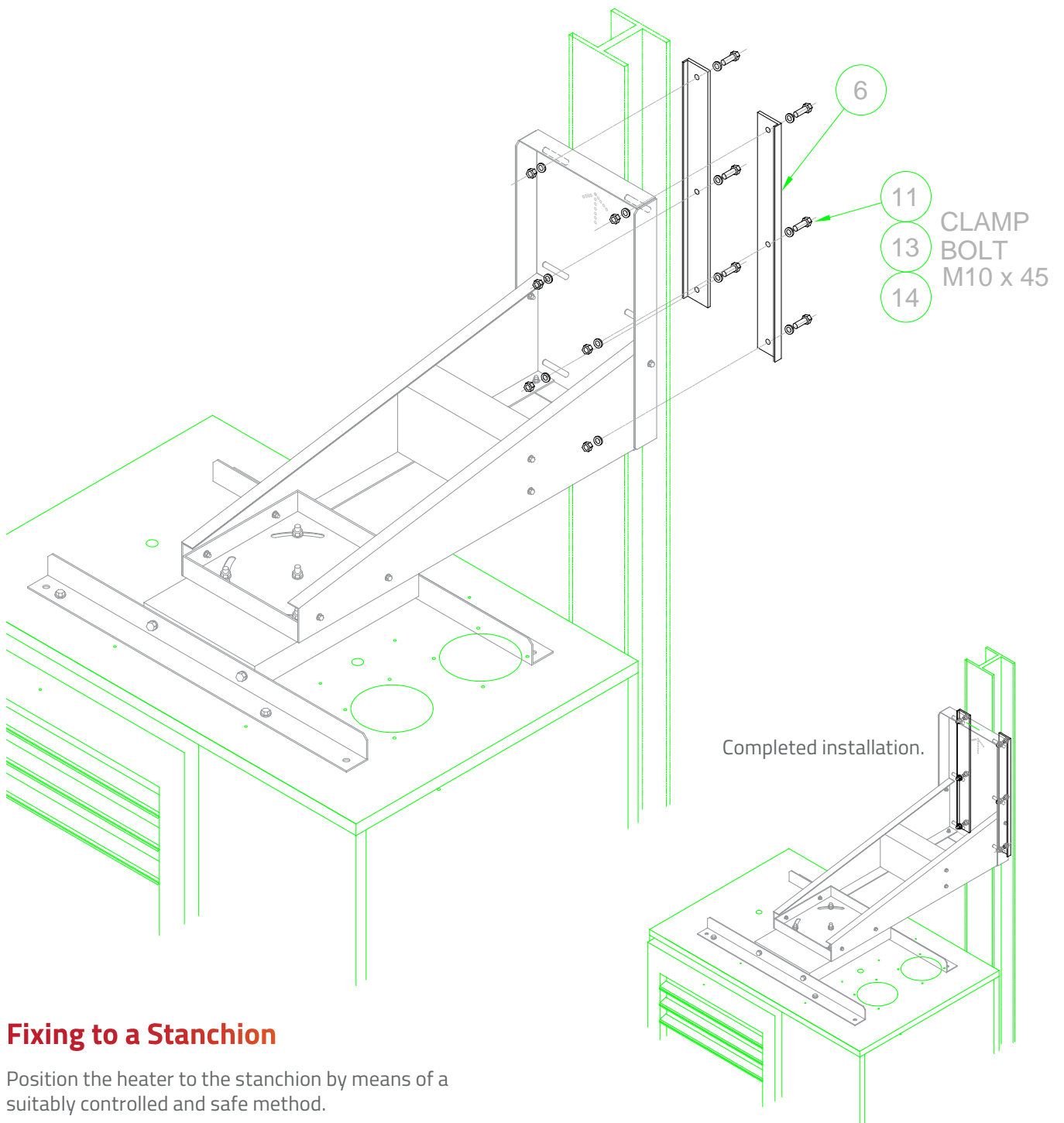
## Fixing to Heater

Position the bracket assembly to align with the threaded inserts on top of the heater.

Fix to the heater using the M10 x 45 bolt, nuts and washers.

Ensure all fixings are tight.





## Fixing to a Stanchion

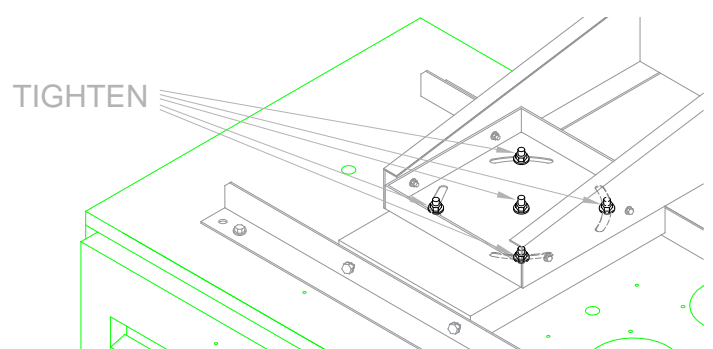
Position the heater to the stanchion by means of a suitably controlled and safe method.

Locate two off item 6 (clamp Brackets) and position either side of the stanchion.

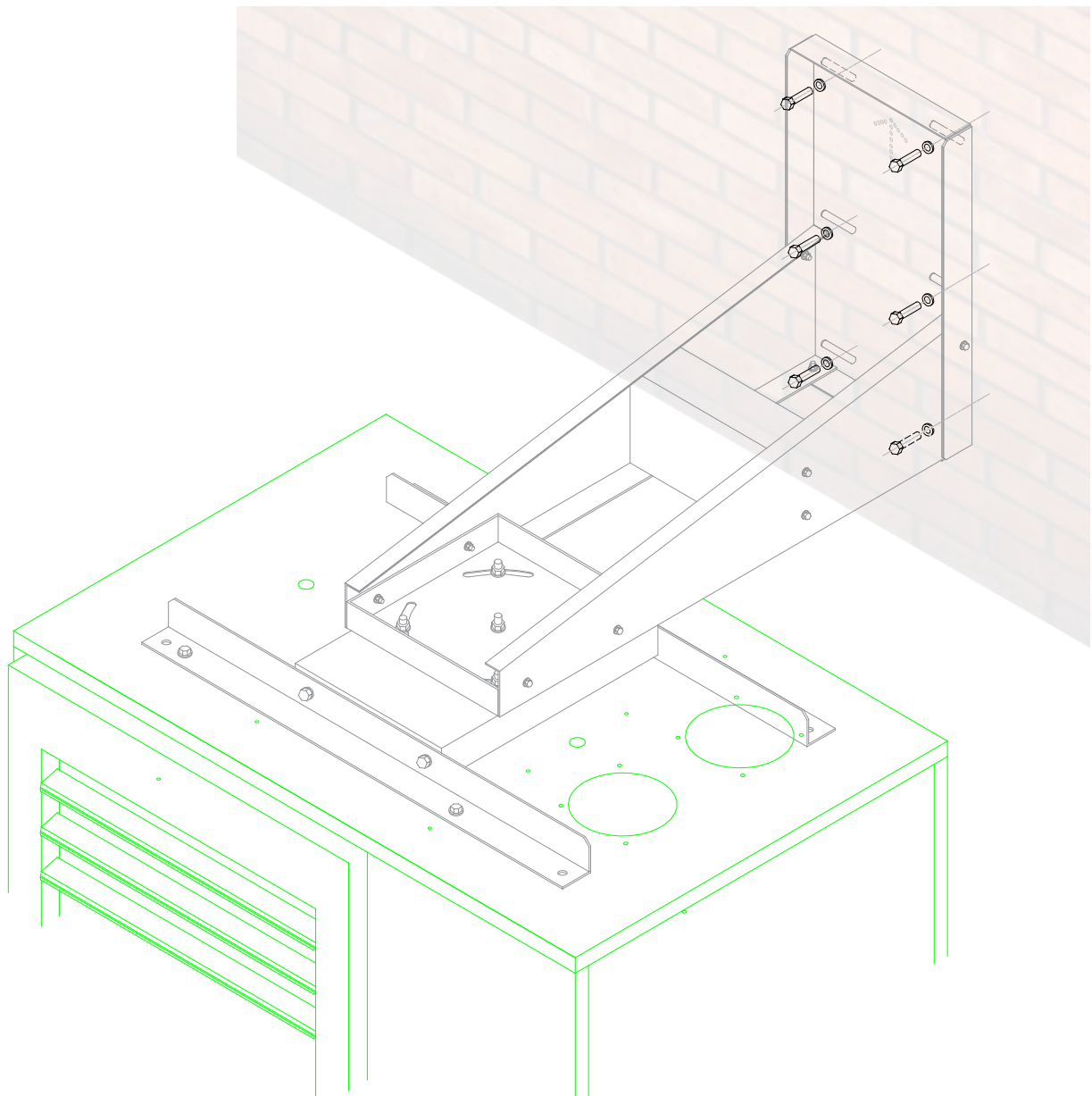
Fix in position using the six M10 x 45 bolts, nuts and washers.

Ensure all fixings are tight.

Carefully rotate unit to desired position and tighten M10 x 25 center pin and the four M8 x 25 coach bolts to lock heater in position.



# Fixing Methods



## Fixing to a wall

Position the heater to the wall by means of a suitably controlled and safe method.

Fix in position using six suitable fixings (not supplied) ensuring the fixings have a tensile strength to suit the

total weight of the heater and swivel bracket.

Ensure all fixings are tight.

Carefully rotate unit to desired position and tighten M10 x 25 center pin and the four M8 x 25 coach bolts to lock heater in position.



HEATING DIVISION  
Hort Bridge  
Ilminster, Somerset TA19 9PS  
Tel: 01460 53535  
Fax: 01460 52341



Every effort is made to ensure accuracy at time of going to press. However as part of continued product improvement, we reserve the right to alter specification without prior notice.