

TB136

Applies to models:

CPx & OUH



CPx & OUH

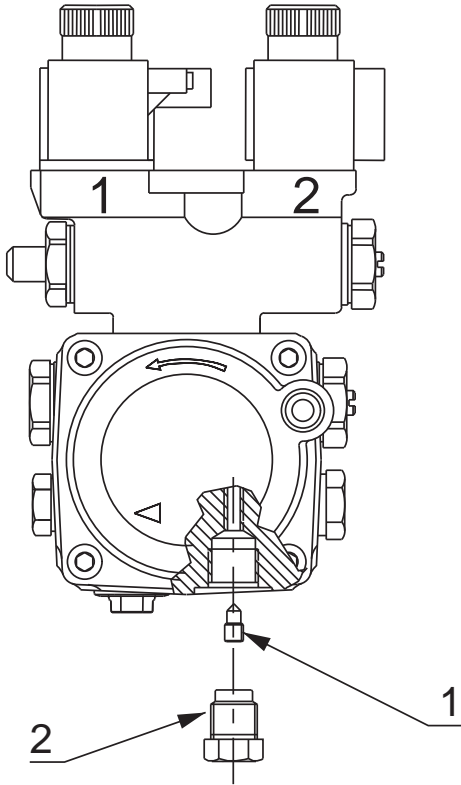
By-pass Screw for Riello Oil Pump



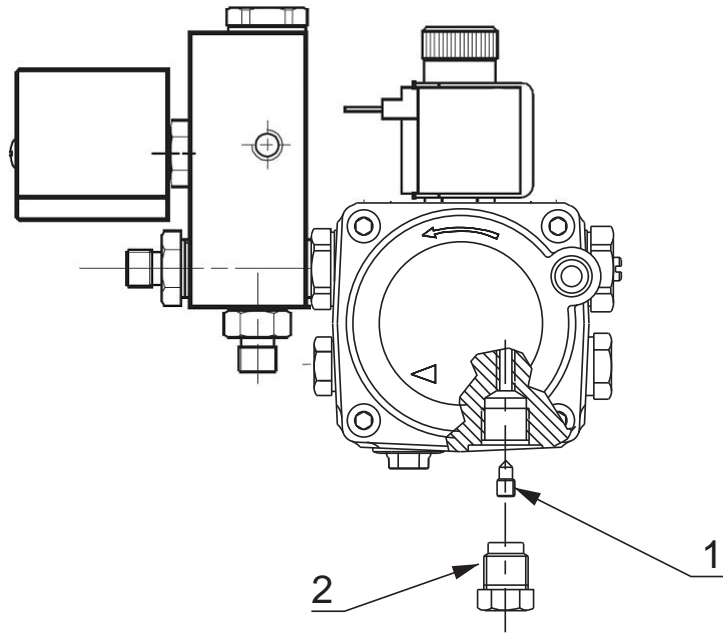


WARNING: When purchasing a spare oil pump for the Riello Gulliver burner, the unit is supplied pre-set to allow working as a two pipe system.

In order to obtain one pipe working it is necessary to unscrew the return plug (2), remove the by-pass screw (1) before refitting the plug using a tightening torque of 15Nm.



*Pump reference 141979551
for use on CPx 030 - CPx0 175 & OUH range*



*Pump reference 141979552
for use on CPx0 200 - CPx0 250*



WARNING: Do not operate a single line system with the by-pass plug installed. Operating a single line system with the by-pass plug installed will result in damage to the pump shaft seal.



HEATING DIVISION
Hort Bridge
Ilminster, Somerset TA19 9PS
Tel: 01460 53535
Fax: 01460 52341



Every effort is made to ensure accuracy at time of going to press. However as part of continued product improvement, we reserve the right to alter specification without prior notice.