

TB108

Applies to models:

NVx, NV, VPC & NVS

Issue 1.0 October 2016



www.powrmatic.co.uk

Instruction for JOX Relay retrofit



CE

General Information

The NV and VCP heat ranges were re-developed in 2009 with the Brahma DMN32 control box. The NVx Gas Range was introduced in 2011.

As part of our continuous development improvement, in December 2014 we added the

JOX relay to allow for any external electrical discrepancies.

This bulletin describes the parts required and procedures to be carried out when retrofitting the JOX relay to heaters containing this board.



fig.1 JOX Relay

 Ensure you select the correct wiring connection diagram listed.

The Relay should be fixed in a suitable location on the controls panel noting cable lengths supplied in the kit. Extra butt connectors are supplied if extra cables are used.

Parts & tools required



Flat head screwdriver



Electrical screwdriver



Crimping tool



Drill plus bits



Retrofit kit part # NVX/JOX/RELAY UPGRADE

consisting of:

1 x Single Pole Relay part# 143000816
4 x Butt Connectors part# 142400310
2 x 6.3mm Spade terminals part# 180174146

2 x 2.8mm Spade terminals part# 180174091
1 x short blue cable, bootlaced both ends
1 x short brown cable, terminated both ends
Technical bulletin TB108

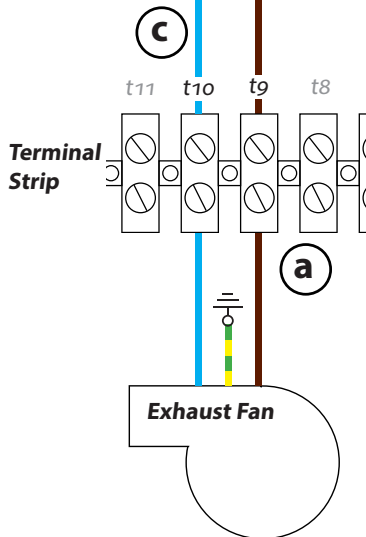
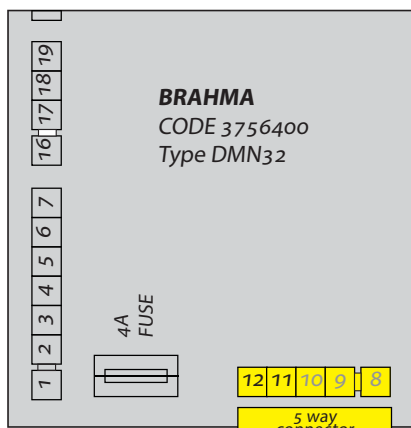


WARNING: Always switch off and disconnect electricity supply and close service valve before carrying out any servicing or replacement of failed components.

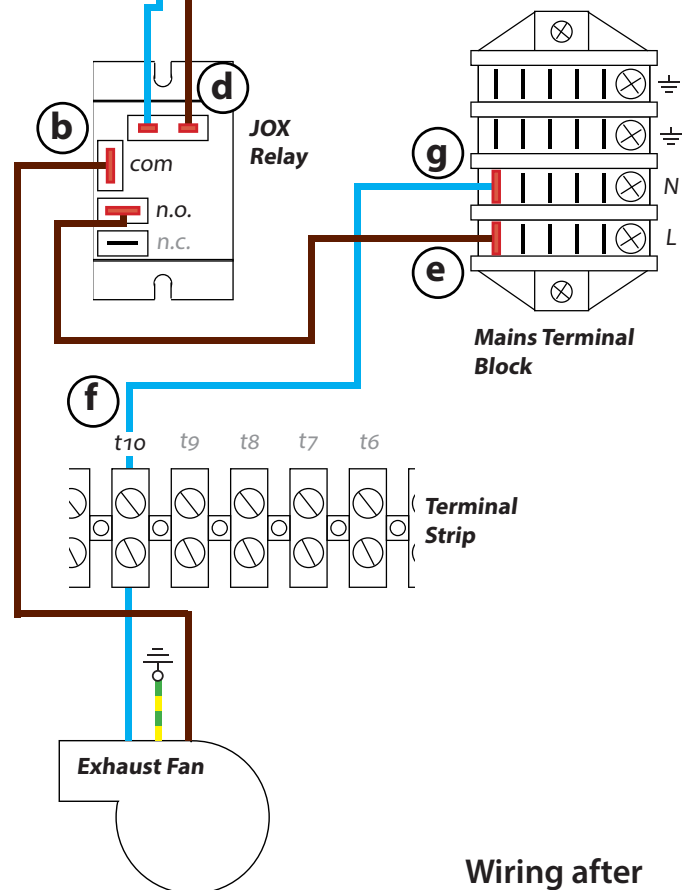
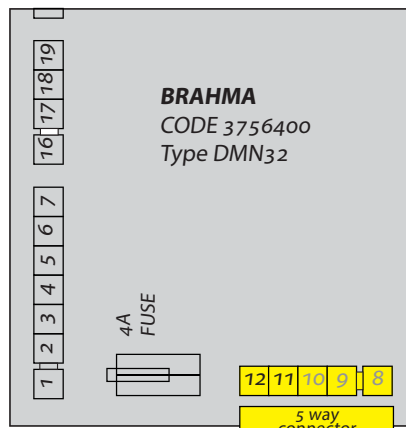
For Heater models: NVx (after 02/13) and VPC (after 09/13)

Method:

- (a) Remove exhaust fan brown cable from terminal 9 of the terminal strip.
- (b) Crimp cable end with large spade connector. Connect spade to relay 'com'.
- (c) Remove Brahma brown cable from terminal 9 & blue cable from terminal 10 of the terminal strip.
- (d) Crimp both ends with small spade connectors. Connect spades to coil terminals of relay.
- (e) Connect brown cable supplied in kit between relay n.o. and a live spade on the mains block.
- (f) Connect loose blue cable supplied in kit between terminal 10.
- (g) Crimp cable end with large spade connector. Connect spade to neutral terminal on the mains block.



Wiring prior to modification



Wiring after modification

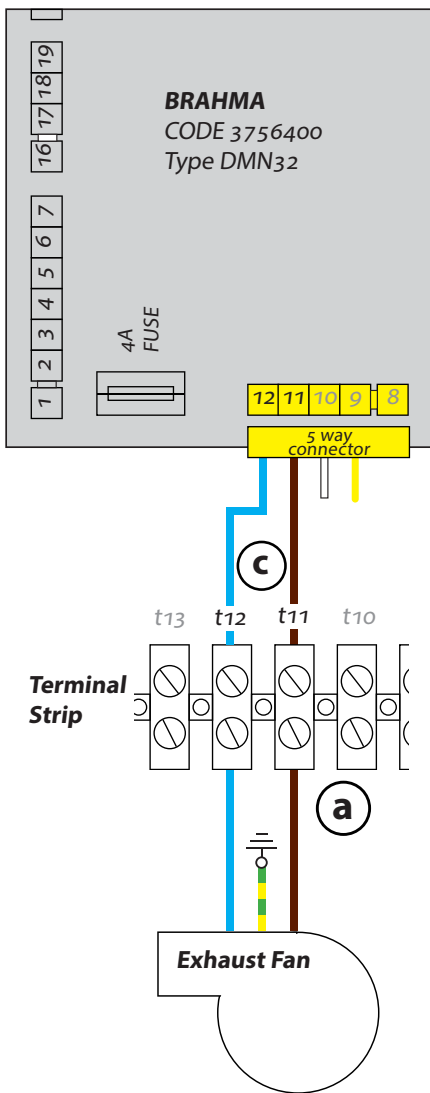


WARNING: Always switch off and disconnect electricity supply and close service valve before carrying out any servicing or replacement of failed components.

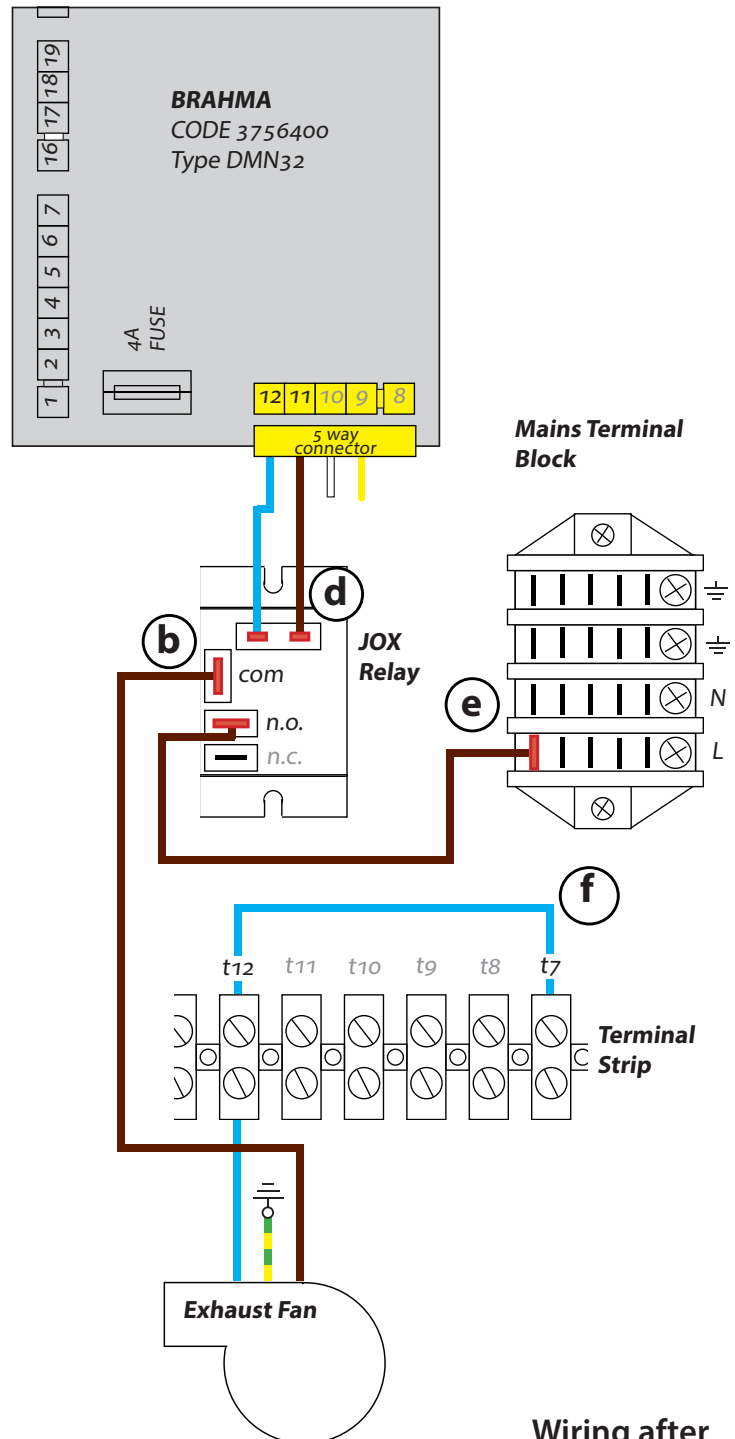
For Heater models: NVx (before 02/13) and VPC (06/12 to 08/13)

Method:

- a Remove exhaust fan brown cable from terminal 11 of the terminal strip.
- b Crimp cable end with large spade connector. Connect spade to relay 'com'.
- c Remove Brahma brown cable from terminal 11 and blue cable from terminal 12 of the terminal strip.
- d Crimp both ends with small spade connectors. Connect spades to coil terminals of relay.
- e Connect brown cable supplied in kit between relay n.o. and a live spade on the mains block.
- f Connect loose blue cable supplied in kit between terminal 7 and terminal 12.



Wiring prior to modification



Wiring after modification

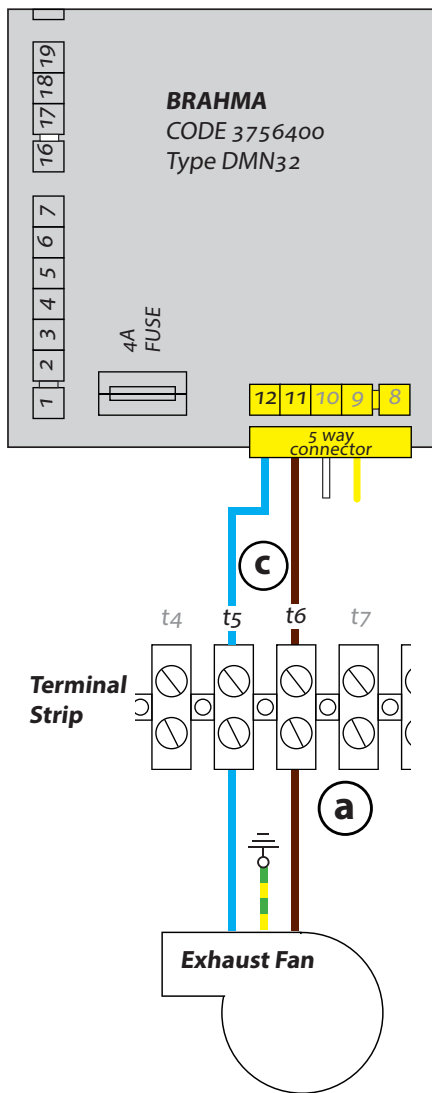


WARNING: Always switch off and disconnect electricity supply and close service valve before carrying out any servicing or replacement of failed components.

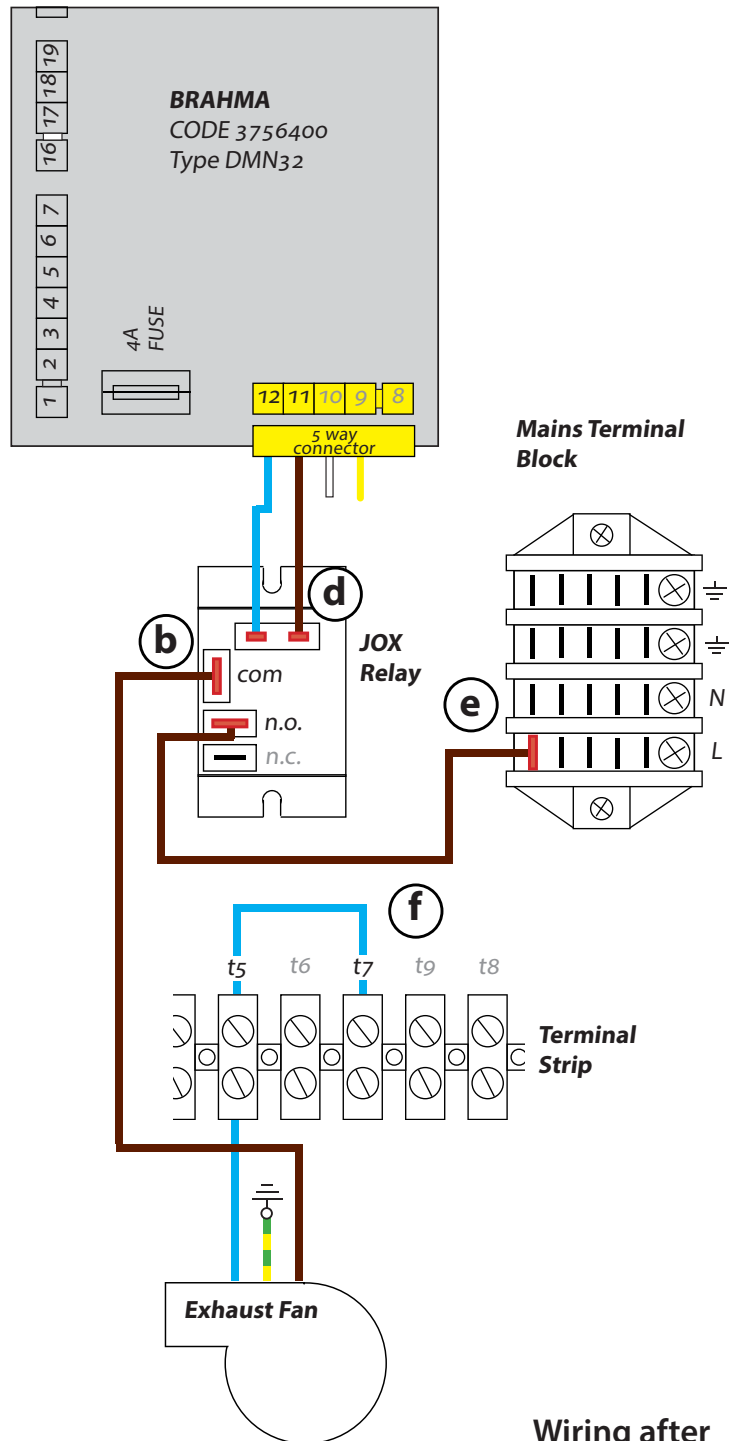
For Heater models: NVS (from 08/11), NV (11/09 to 02/11) and VPC (before 06/12)

Method:

- (a)** Remove exhaust fan brown cable from terminal 6 of the terminal strip.
- (b)** Crimp cable end with large spade connector. Connect spade to relay 'com'.
- (c)** Remove Brahma brown cable from terminal 6 and blue cable from terminal 5 of the terminal strip.
- (d)** Crimp both ends with small spade connectors. Connect spades to coil terminals of relay.
- (e)** Connect brown cable supplied in kit between relay n.o. and a live spade on the mains block.
- (f)** Connect loose blue cable supplied in kit between terminal 5 and terminal 6.



Wiring prior to modification



Wiring after modification

Checks:

Check cables for tightness.

Replace mains supply and call for heat.

check full operation of combustion fan.



HEATING DIVISION
Hort Bridge
Ilminster, Somerset TA19 9PS
Tel: 01460 53535
Fax: 01460 52341



Every effort is made to ensure accuracy at time of going to press. However as part of continued product improvement, we reserve the right to alter specification without prior notice.