

TB100

Applies to models:

NVx & VPC



Instruction for replacing a Brahma DMN32 for a Pactrol P25 control box.



General Information

The NVx Gas Unit Heater Range was introduced in 2011 with a Brahma DMN32 control box.

As part of our continuous development improvement, in March 2016 we replaced the

Brahma with a Pactrol P25 control box.

This bulletin describes the parts required and procedures to be carried out when replacing Brahma DMN32 to the Pactrol P25 control board.



fig.1 Brahma DMN32



fig.2 Pactrol P25

Parts & tools required



Flat head screwdriver



Electrical screwdriver



8mm Nut runner



Drill plus bits



P25 retrofit kit :

for On/Off & Hi/Low heaters part # **145030846/KIT** or for Modulation heaters part # **145030847/KIT**

consisting of:

1 x Pactrol P25 part# 145030846 or 145030847
 1 x Chassis bracket part# NVSK26701

1 x Extension harness
 2 x Self drilling screws
 Technical bulletin

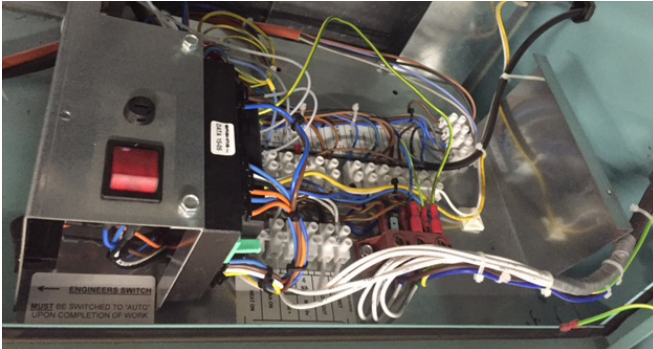
part# 147600115
 part# 180000984
 TB100

Procedure



WARNING: Always switch off and disconnect electricity supply and close service valve before carrying out any servicing or replacement of failed components.

1. Open heater side door & remove controls enclosure



5. Location of holes on control panel.



2. Unplug all connectors by pulling back release tabs. Unplug spark, rectification and earth leads.



6. Fit the chassis bracket to the outside of the control housing using screws supplied. Refit control enclosure



3. Position new Pactrol chassis bracket onto side of control enclosure and mark through holes in bracket.



7. Connect all three female connectors of wiring loom to original wiring harness removed in step 2.



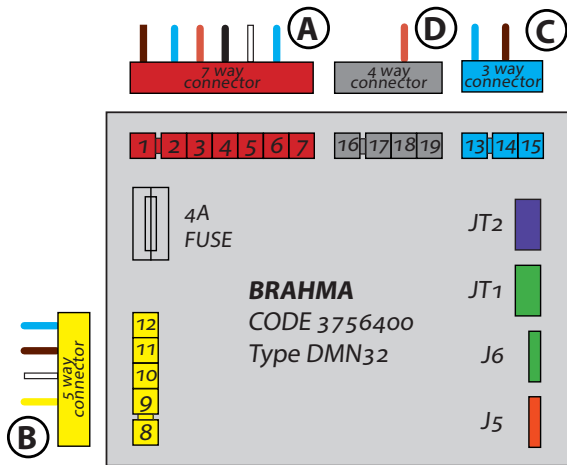
4. Drill two 4mm holes through side of controls enclosure.



8. Connect wiring loom to new Pactrol plus spark, rectification and earth leads.



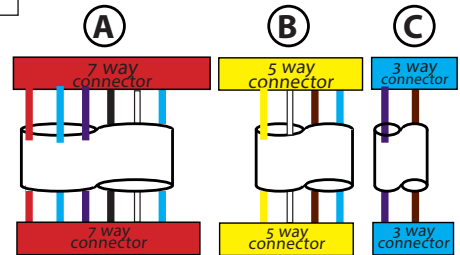
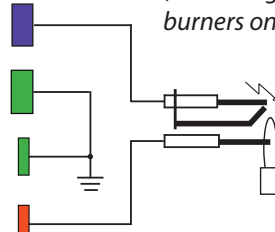
Wiring Connections



Method:

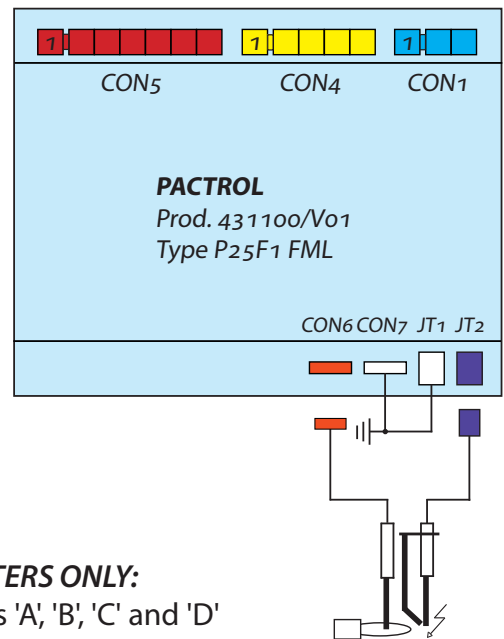
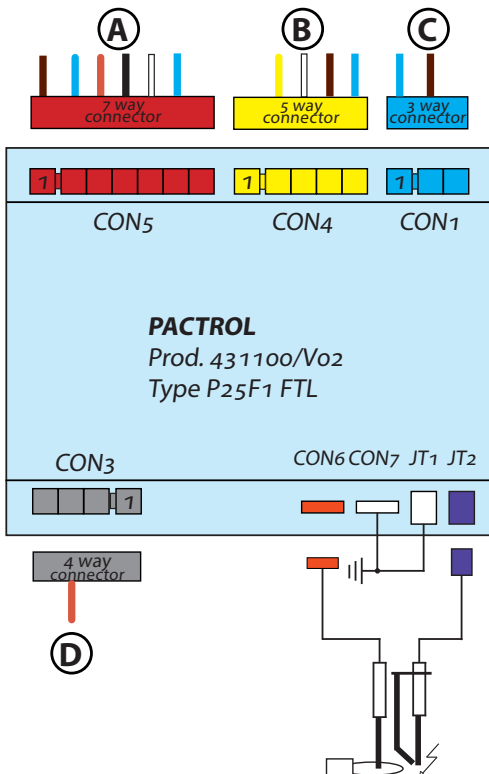
1. Remove all connections from original Brahma controller.

(Note: Plug 'D' will only be in place on modulation burners only)



- FOR ON/OFF & HI/LOW HEATERS:**
2. Re-attach connections 'A', 'B' and 'C' to new Pactrol P25FML
 3. Refit spark and rectification cables to correct terminals shown.

(Note: Earth cables to CON7 & JT1 are already fixed to plate)



FOR MODULATION HEATERS ONLY:

2. Re-attach connections 'A', 'B', 'C' and 'D' to new Pactrol P25FTL

3. Refit spark and rectification cables to correct terminals shown.

(Note: Earth cables to CON7 & JT1 are already fixed to plate)



HEATING DIVISION
Hort Bridge
Ilminster, Somerset TA19 9PS
Tel: 01460 53535
Fax: 01460 52341



Every effort is made to ensure accuracy at time of going to press. However as part of continued product improvement, we reserve the right to alter specification without prior notice.