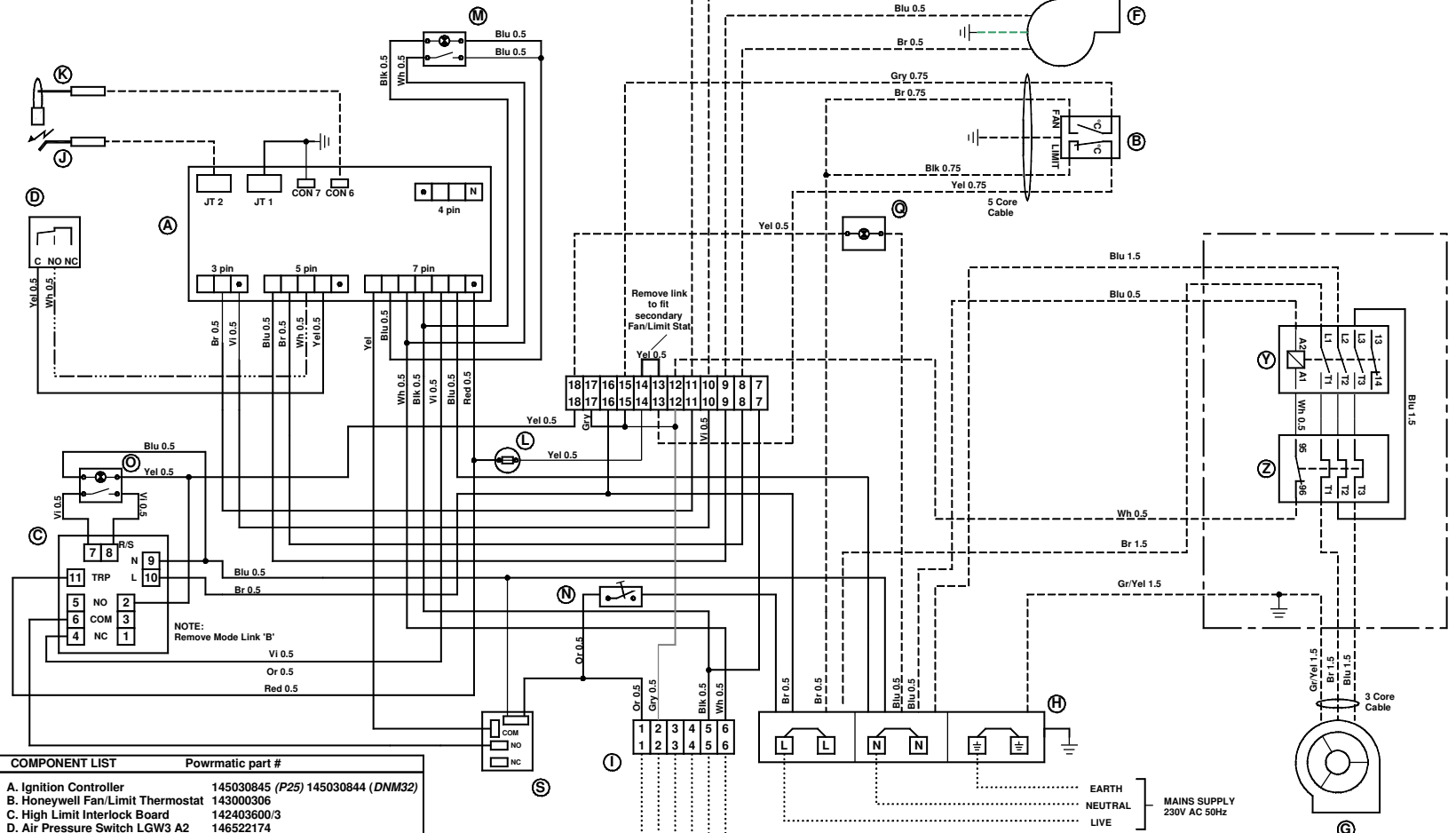


Wiring Legend	
—	Connections made by Control board Assembler
- - - - -	Connections made by Final Assembler
.....	Connections made by Installer

NOTES

Mains Input: 230v 50Hz 1ph Supply.
For input power refer to Installation instructions.

Warning: High voltages present at the ignition electrode when the unit attempts to light.



COMPONENT LIST	Powrmatic part #
A. Ignition Controller	145030845 (P25) 145030844 (DNM32)
B. Honeywell Fan/Limit Thermostat	143000306
C. High Limit Interlock Board	142403600/3
D. Air Pressure Switch LGW3 A2	146522174
E. Main Gas Valve	Model specific
F. Exhaust / Combustion Fan	Model specific
G. Main Fan	Model specific
H. 6 Way Hylec Block	143100606
I. NVx Ver 2 Wiring Loom	147600101
J. Ignition Electrode	Model specific
K. Rectification Probe	142423003
L. Fuse Holder 5A	143000526
M. Amber Indicator / Reset Button	143070276
N. Engineers Override Switch	143100663
O. Red Indicator / Reset Button	143070274
P. -	-
Q. Red Neon Indicator	146522177
R. -	-
S. Jox 230v Relay	143000816
T. GM44 Modulating Driver PCB	142400303
U. Modulating Head	142466403
V. High/Low Driver Head	142466402
W. Cewal Thermostat	143000534
Y. Contactor	Model Specific
Z. Overload	Model Specific

POWRMATIC LTD
Powrmatic Ltd., Horn Bridge, Ilminster, Somerset
TA19 9PC TEL: 01460 53505 FAX: 01460 52341
Web: www.powrmatic.co.uk E-Mail: r&d@powrmatic.co.uk

JMC	-	-	07.07.17	DNM32 / P25 Options	3
DRN	IA NO	DCR	DATE	MODIFICATIONS	ISSUE

TITLE:	VPC
DRG NO:	H07GBE0135