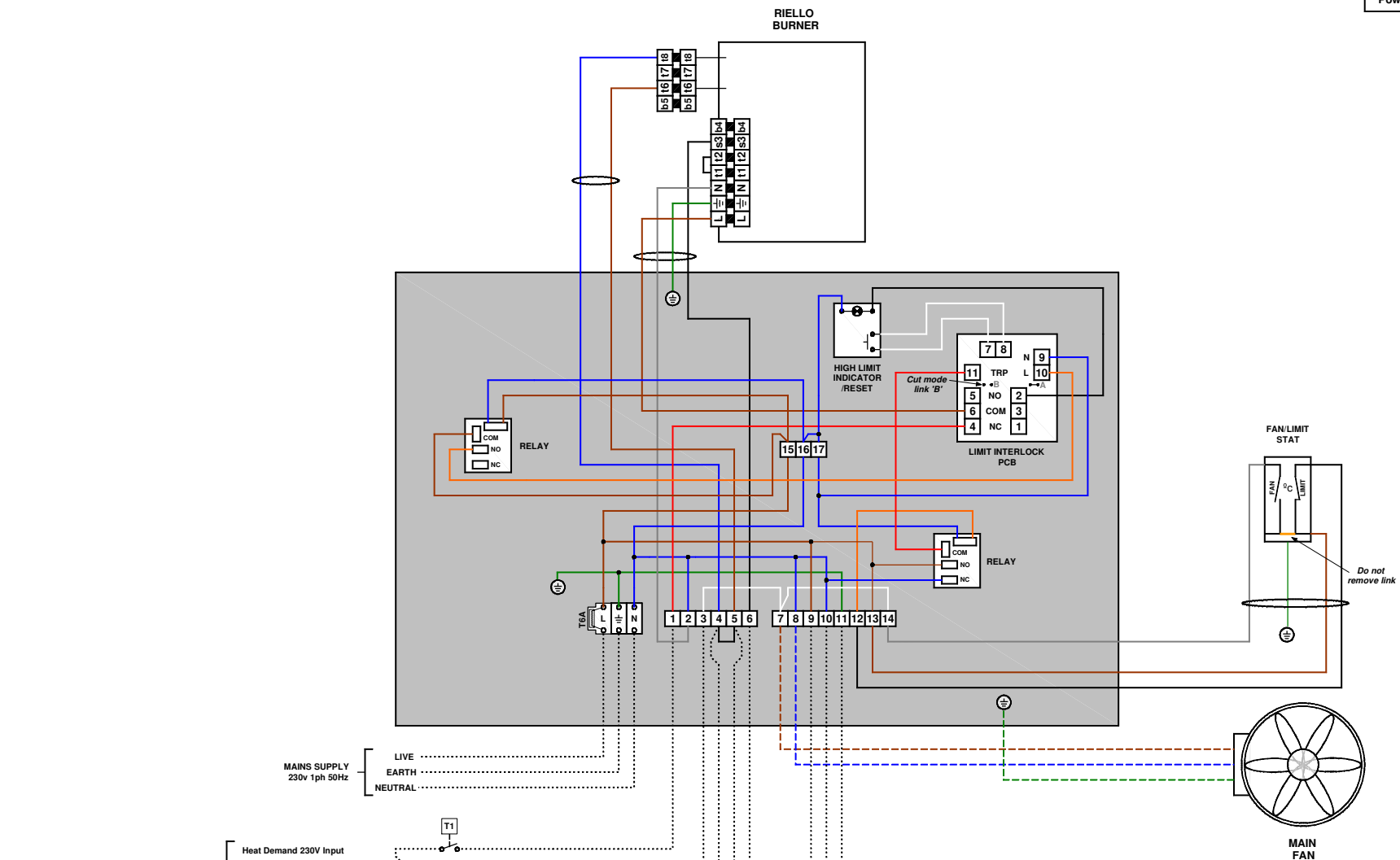
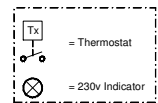


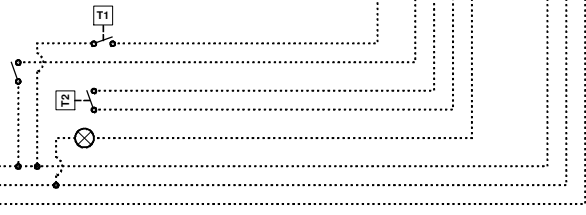
Electrical Data
Mains Input: 230v 50Hz 1ph Supply. For total Power refer to user instructions.



MAINS SUPPLY
230v 1ph 50Hz
LIVE
EARTH
NEUTRAL



External Controls Connections
Heat Demand 230V Input
Main Fan Only 230V Input
2nd Stage Thermostat (High Fire)
Remove link - T4 & T5
Burner Lockout Indicator 230V Output
230V Supply for Controls



Wiring Legend

- Connections made by Control board Assembler
- - - Connections made by Final Assembler
- ⋯ Connections made by Installer

POWRMATIC LTD
Powrmatic Ltd - Horn Bridge, Ilminster, Somerset
TA19 9PS
TEL: 01460 52035 FAX: 01460 52341
Web: www.powrmatic.co.uk E-Mail: r&d@powrmatic.co.uk

JMC	-	-	09.01.18	Fan / Limit Stat + Interlock Board	2
DRN	(A/NO)	DCR	DATE	MODIFICATIONS	ISSUE

TITLE: OUH Freeblowing MASTER WIRING DIAGRAM
DRG NO: H04GBE0165

This drawing is copyright and the property of POWRMATIC LIMITED. It must not be used without their knowledge, nor communicated to any other person or company.