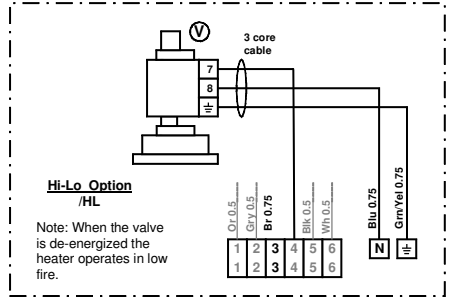
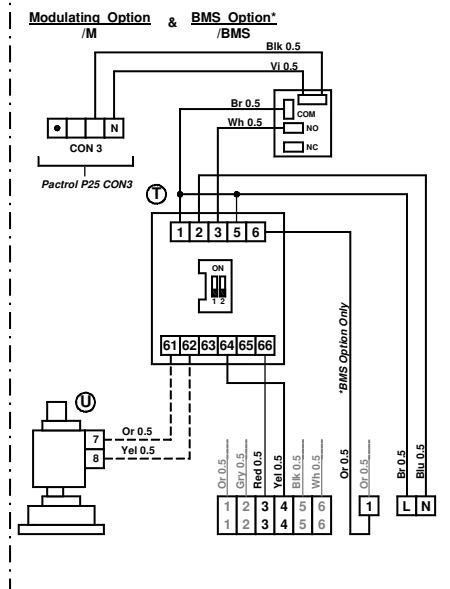
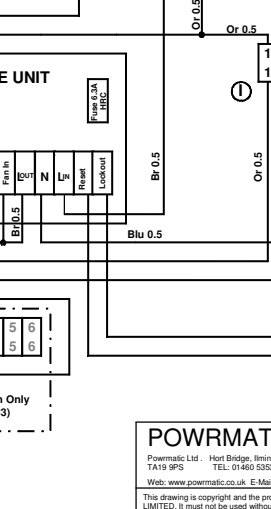
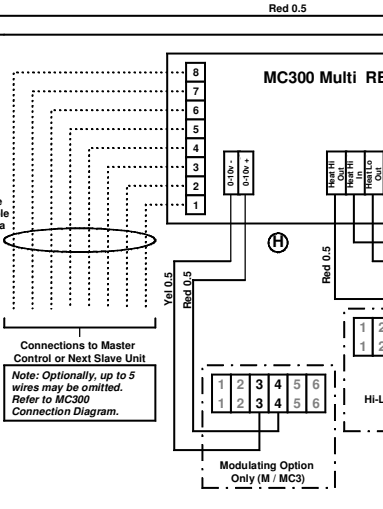
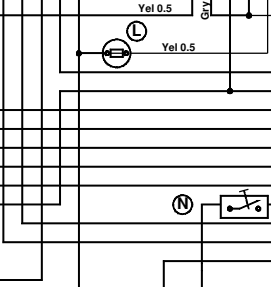
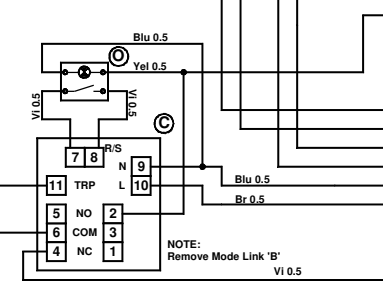
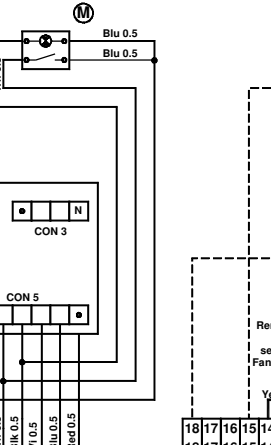
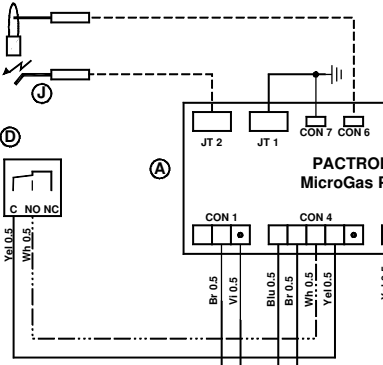
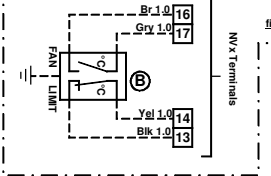
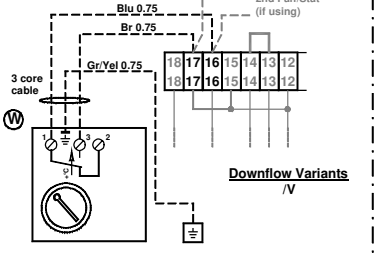


COMPONENT LIST	Powrmatic part #
A. Pactrol Control P25	145030845
B. Honeywell Fan/Limit Thermostat	143000306
C. High Limit Interlock Board	142403600/3
D. Air Pressure Switch LGW3 A2	146522174
E. Main Gas Valve	Model specific
F. Exhaust / Combustion Fan	Model specific
G. Main Fan	Model specific
H. MC300 Slave Board	MC300SLAVE
I. NVx Ver 2 Wiring Loom	147600101
J. Ignition Electrode	Model specific
K. Rectification Probe	142423003
L. Fuse Holder 5A	143000526
M. Amber Indicator / Reset Button	143070276
N. Engineers Override Switch	143100663
O. Red Indicator / Reset Button	143070274
P. Amber Neon Indicator	143100666
Q. Red Neon Indicator	143100661
R. Green Neon Indicator	143100662
S. Jovx 230v Relay	143000816
T. GM44 Modulating Driver PCB	142400303
U. Modulating Head	142466403
V. High/Low Driver Head	142466402
W. Cewal Thermostat	143000534
AA. 3 Way Hylec Block	143100603



Wiring Legend	
—	Connections made by Control board Assembler
- - -	Connections made by Final Assembler
.....	Connections made by installer



NOTES

Mains Input: 230v 50Hz 1ph Supply.
For input power refer to Installation instructions.

Warning: High voltages present at the ignition electrode when the unit attempts to light.

POWRMATIC LTD					TITLE:	
JMC	-	-	04.04.17	P25-CON5-PIN7 ADDED VIA RELAY	5	NVx 15-140 (Pactrol) c/w MC300 Slave Board
DRN	IA NO	DCR	DATE	MODIFICATIONS	ISSUE	DRG NO:
						H01GBE0005

POWRMATIC LTD	
Powrmatic Ltd - Hort Bridge, Ilminster, Somerset TA19 9PS TEL: 01460 52055 FAX: 01460 52341 Web: www.powrmatic.co.uk E-Mail: r&d@powrmatic.co.uk	
This drawing is copyright and the property of POWRMATIC LIMITED. It must not be used without their knowledge, nor communicated to any other person or company.	