

PowrJet Extract Ventilator

Powered Ventilator



powrmatic



www.powrmatic.co.uk

Powered Ventilation Range

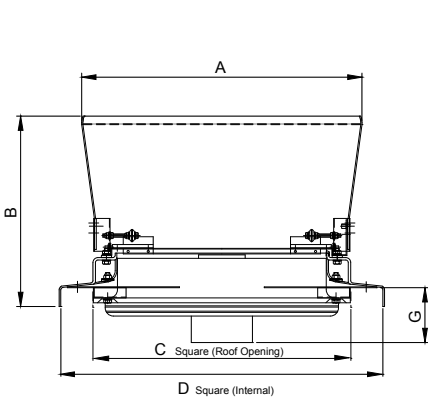


Powrjet Extract Systems

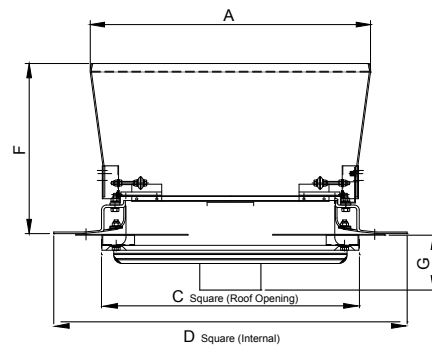
A high performance environmental powered extract fan, which comes in a range of high velocity extractors, purpose-designed to provide powerful discharge in harsh environments. Capable of tackling dust, fume and condensation problems to ventilate the area.



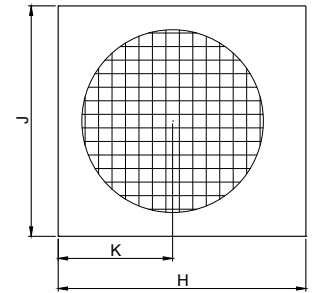
(For Extract volumes and technical specification please contact Powrmatic Ventilation)



PJE Turndown Base



PJE Flat Base



PJE Dimensions

Model	A	B	C	D	F	G	H	J	K	Weight
	mm	mm	mm	mm	mm	mm	mm	mm	mm	Kg
PJE 40	567	400	535	692	355	106	815	750	375	27
PJE 50	687	460	635	790	415	135	920	850	425	38
PJE 60	878	552	790	945	507	198	1150	1085	543	51
PJE 75	1039	639	940	1095	594	199	1260	1155	578	76
PJE 90	1251	745	1170	1325	700	559	1545	1425	712	144

PJE Performance (900rpm)

Model	Capacity m ³ /s @ 0 Pa		Run Amps (A)		dBA (1m)	
	1 Ph	3 Ph	1 Ph	3 Ph	1 Ph	3 Ph
PJE 40	0.81	0.82	0.5	0.3	65	65
PJE 50	1.54	1.69	1.1	0.6	72	72
PJE 60	3.0	3.01	2.9	1.3	80	80
PJE 75	N/A	4.16	N/A	2.7	N/A	86
PJE 90	N/A	8.44	N/A	4.2	N/A	99

PJE Performance (1400rpm)

Model	Capacity m ³ /s @ 0 Pa		Run Amps (A)		dBA (1m)	
	1 Ph	3 Ph	1 Ph	3 Ph	1 Ph	3 Ph
PJE 40	1.35	1.36	1.3	0.7	76	76
PJE 50	2.42	2.50	3.3	1.6	83	83
PJE 60	4.58	4.62	8.3	3.1	91	91
PJE 75	N/A	6.04	N/A	4.4	N/A	94
PJE 90	N/A	4.72	N/A	13.4	N/A	108

Powrmatic are able to offer full product application advice to our customers to ensure the best product is selected to meet the required budget, design and regulatory requirements. Our product range is guaranteed and fully backed with servicing support if required.

The ventilation team are dedicated to ensure your project runs smoothly from start to finish. We believe personal customer service is key to each and everyone of our customers.

The team have a wealth of product knowledge to ensure the best product is selected to meet the required budget, design and regulatory requirements. In addition a UK wide network of approved specialist ventilation design and installation partners providing you with the full turnkey package.

Our on-site sales and design team, along with our manufacturing and paint line enables us to have full control of your order, from the initial approval drawing all the way through to the strategic delivery on-site.

The team is always on hand to deal with any unexpected changes within your project, from lead times to the change in design of your order, the ventilation team work extremely hard to ensure our products and services meet your demands and expectations.

To see how Powrmatic Ventilation can help with your project, simply get in touch via the contact details below:

Powrmatic Ltd
Hort Bridge
Ilminster
Somerset
TA19 9PS

tel: +44 (0) 1460 53535
fax: +44 (0) 1460 52341
e-mail: info@powrmatic.co.uk
web: www.powrmatic.co.uk

