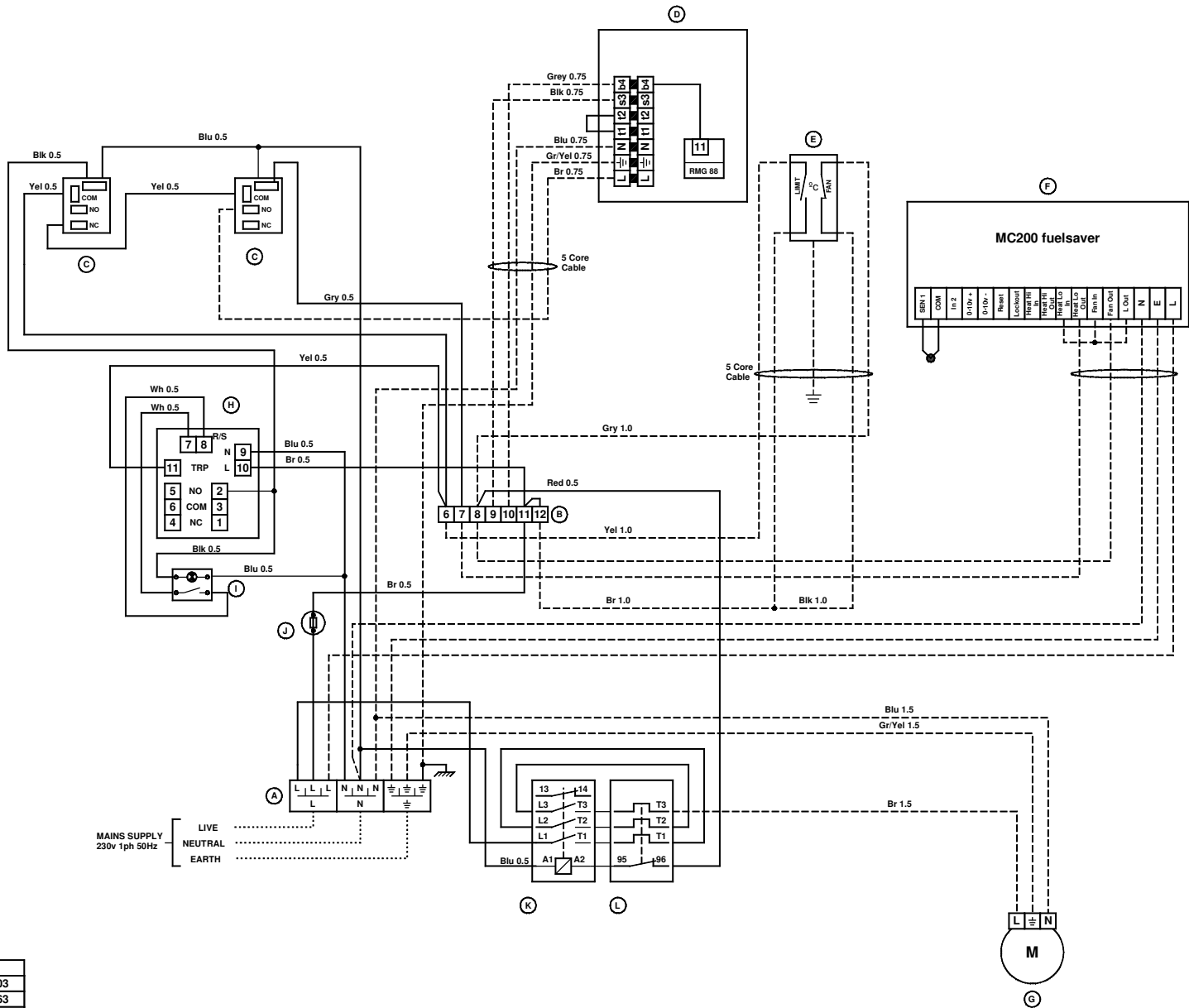


Electrical Data
Mains Input: 230v 50Hz 1ph Supply. For total Power refer to user instructions.



COMPONENT LIST (powrmatic part number)		
A	3 Way Hylec Block	143100603
B	Terminal Block	143100563
C	Jox Relay	143000816
D	Riello Burner	142917181
E	White Rogers Fan/Limit Stat	143000307MOD
F	MC 200 Fuelsaver	MC200/BL
G	Main Fan	Model Specific
H	Interface Board	142403600/3
I	Limit Indicator / Reset	143070274
J	Fuse Holder	143000526
K	Ktec Contactor	Model Specific
L	Otec Overload	Model Specific

Wiring Legend	
	Connections made by Control board Assembler
	Connections made by Final Assembler
	Connections made by Installer

POWRMATIC LTD

Powrmatic Ltd - Horn Bridge, Ilminster, Somerset
TA19 9PS TEL: 01460 53535 FAX: 01460 52341
Web: www.powrmatic.co.uk E-Mail: r&d@powrmatic.co.uk

This drawing is copyright and the property of POWRMATIC LIMITED. It must not be used without their knowledge, nor communicated to any other person or company.

JMC	-	-	09.01.15	Fan/Limit Stat Changed to White Rogers (Mod)	9
DRN	IA/NC	DCR	DATE	MODIFICATIONS	ISSUE

TITLE:	CP x Gas 120 - 150 1ph c/w Fitted MC 200
DRG NO:	CPx / Gas / 1ph / 003-01