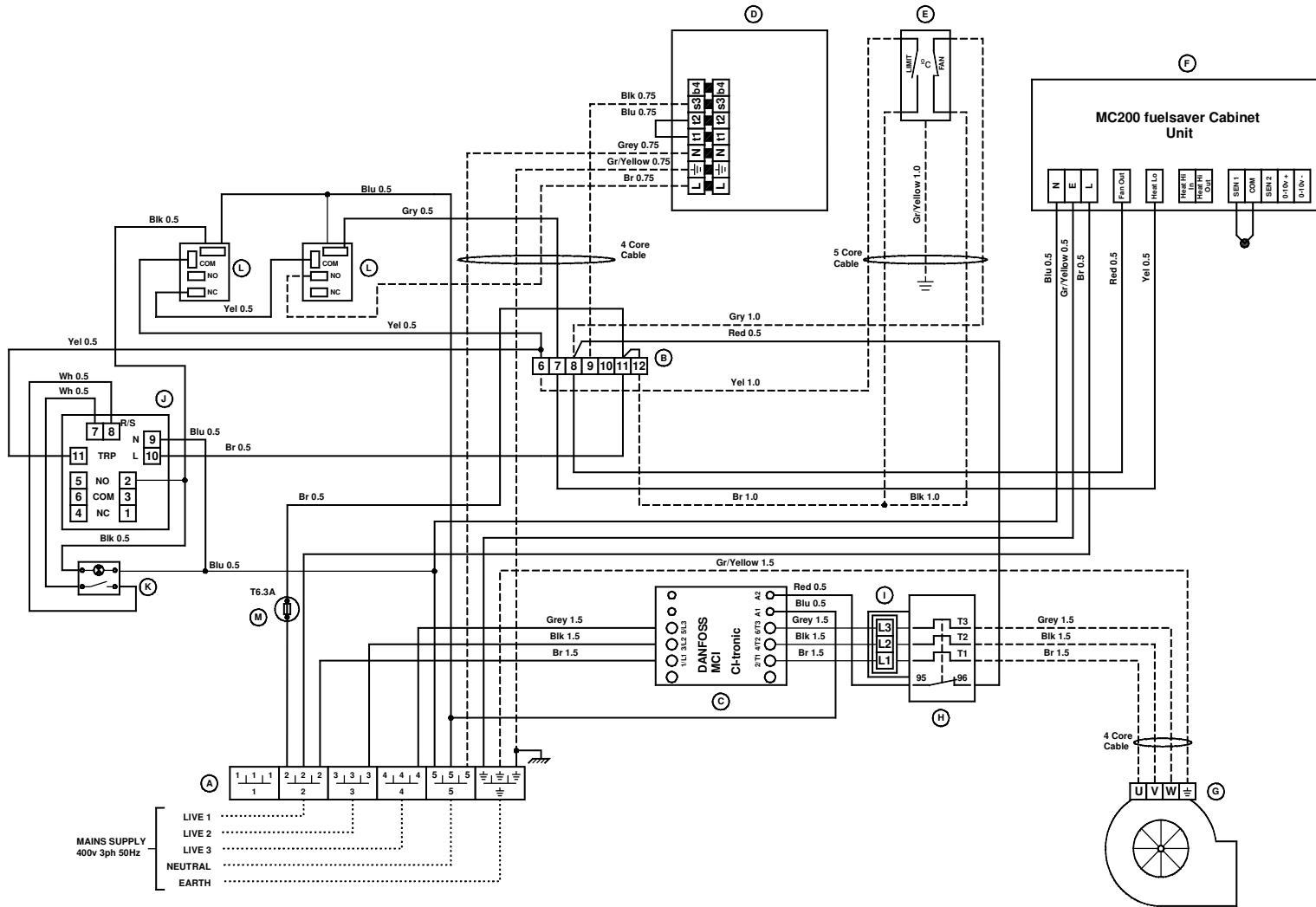


Electrical Data
Mains Input: 400v 50Hz 3ph Supply. For total Power refer to user instructions.



COMPONENT LIST (powrmatic part number)		
A	6 Way Hylec Block	143100606
B	Terminal Block	143100563
C	MCI Soft Start	BoM Specific
D	Riello Burner	141913419
E	White Rogers Fan/Limit Stat	143000307/MOD
F	MC 200 Cabinet Unit	MC200CAB
G	Main Fan	BoM Specific
H	Otec Overload	143000800
I	Otec Overload Base	143000810
J	Limit Interlock Board	142403600/3
K	Limit Indicator / Reset	143070274
L	Jox Relay	143000816
M	Fuse Holder	143000526

Wiring Legend	
	Connections made by Control board Assembler
	Connections made by Final Assembler
	Connections made by Installer

POWRMATIC LTD		TITLE:	
Powrmatic Ltd - Horn Bridge, Ilminster, Somerset TA19 9PS TEL: 01460 63035 FAX: 01460 62341 Web: www.powrmatic.co.uk E-Mail: r&d@powrmatic.co.uk		CP x Oil 250/300 Motor c/w Fitted MC 200	
This drawing is copyright and the property of POWRMATIC LIMITED. It must not be used without their knowledge, nor communicated to any other person or company.		DRG NO:	
JMC	-	09.01.15	Fan/Limit Stat Changed to White Rogers (Mod)
DRN	IA/NC	DCR	DATE
MODIFICATIONS		ISSUE	
		CPx / Oil / 3ph / 002-01	