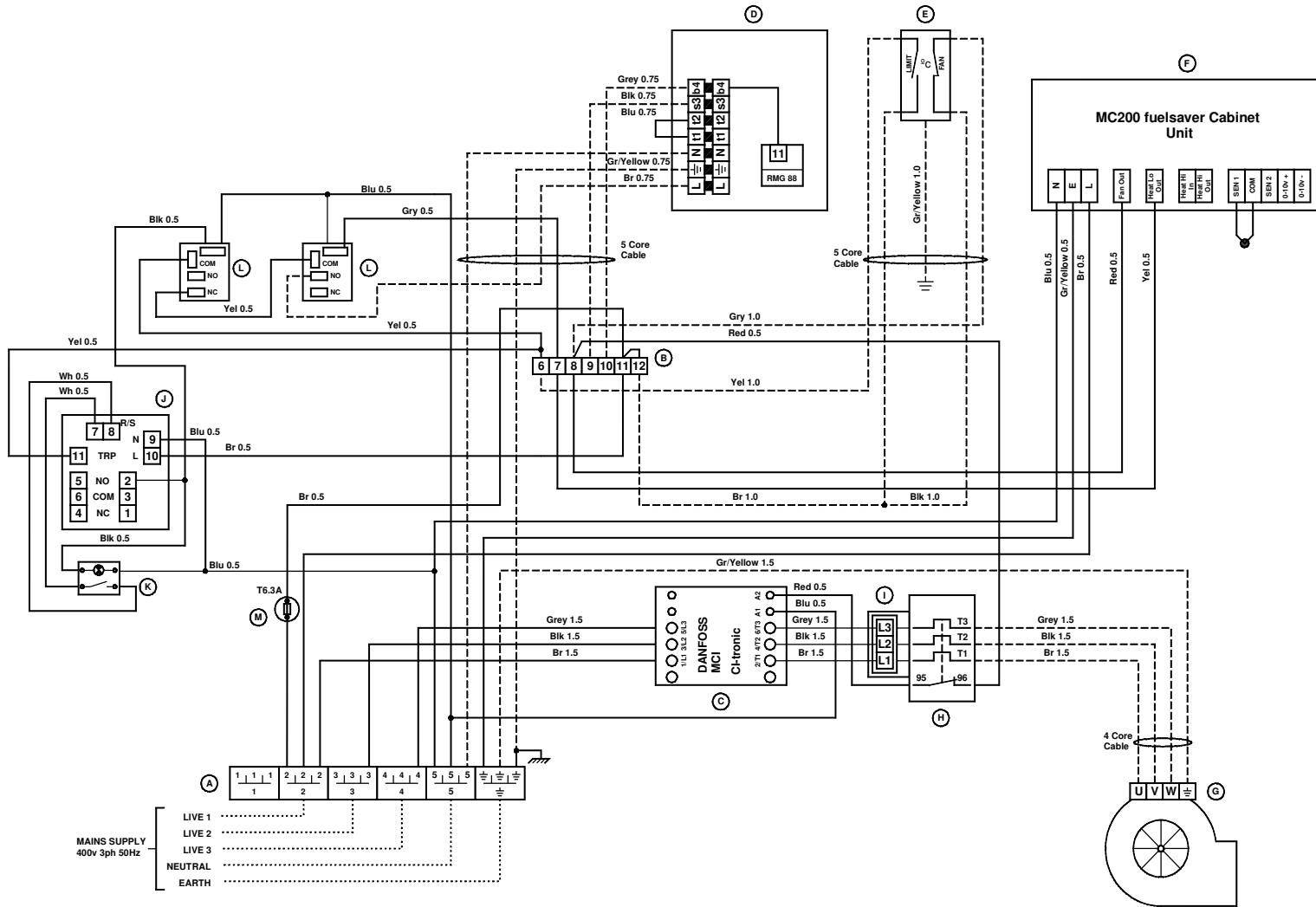


Electrical Data
Mains Input: 400v 50Hz 3ph Supply. For total Power refer to user instructions.



COMPONENT LIST (powrmatic part number)		
A	6 Way Hylec Block	143100606
B	Terminal Block	143100563
C	MCI Soft Start	BoM Specific
D	Riello Burner	142917271
E	White Rogers Fan/Limit Stat	143000307/MOD
F	MC 200 Cabinet Unit	MC200CAB
G	Main Fan	BoM Specific
H	Otec Overload	BoM Specific
I	Otec Overload Base	143000810
J	Limit Interlock Board	142403600/3
K	Limit Indicator / Reset	143070274
L	Jox Relay	143000816
M	Fuse Holder	143000526

Wiring Legend	
	Connections made by Control board Assembler
	Connections made by Final Assembler
	Connections made by Installer

POWRMATIC LTD				TITLE: CP x Gas 250 / 300 c/w Fitted MC 200	
Powrmatic Ltd - Horn Bridge, Brimstree, Somerset TA19 9PS TEL: 01460 63035 FAX: 01460 62341 Web: www.powrmatic.co.uk E-Mail: r&d@powrmatic.co.uk				DRN	
This drawing is copyright and the property of POWRMATIC LIMITED. It must not be used without their knowledge, nor communicated to any other person or company.				DATE	
JMC - - - 09.01.15 Fan/Limit Stat Changed to White Rogers (Mod)				ISSUE 8	
DRN IA NC DGR				MODIFICATIONS	
				ISSUE	
				DRG NO: CPx / Gas / 3ph / 002-01	