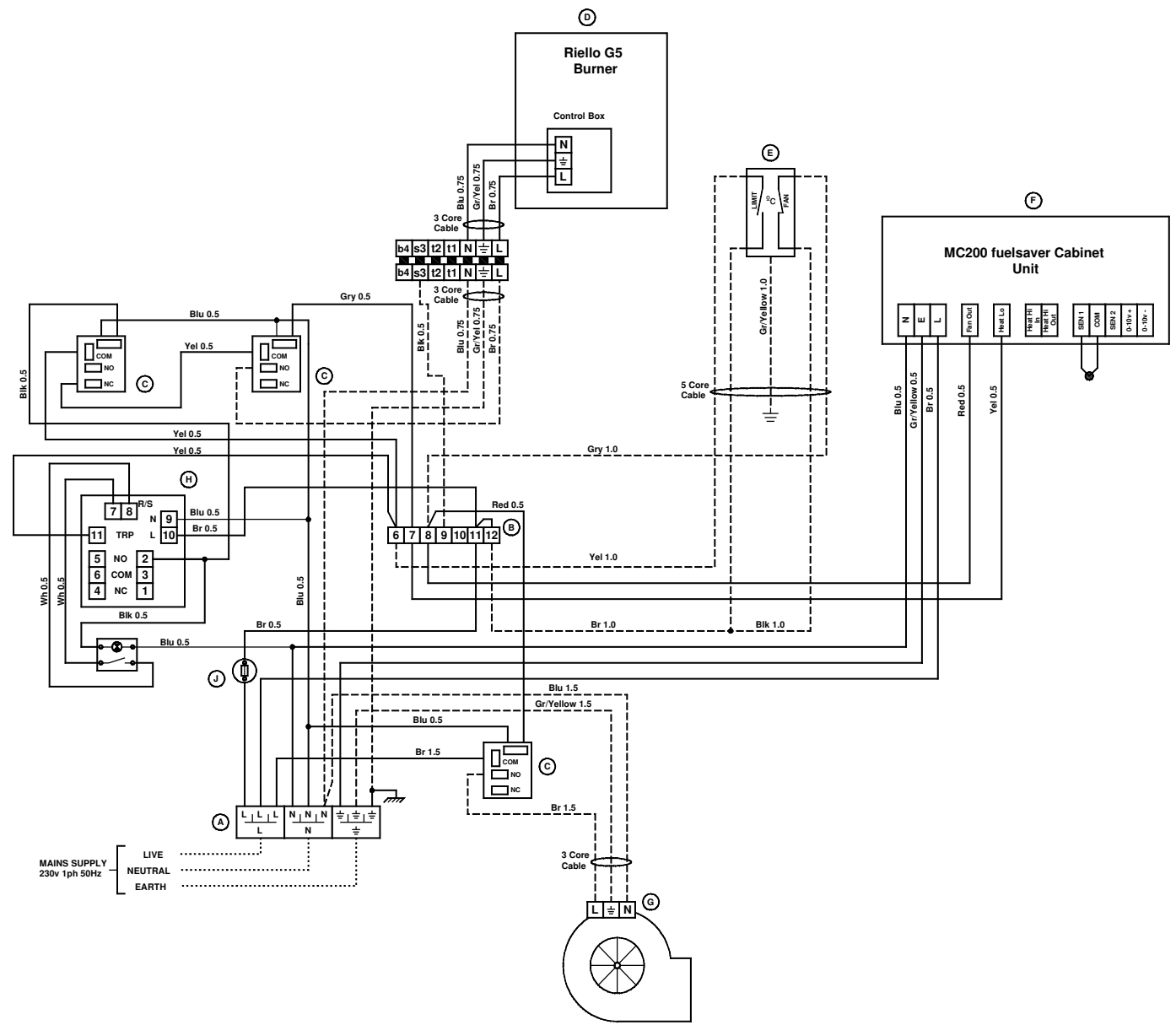


Electrical Data
Mains Input: 230v 50Hz 1ph Supply. For total Power refer to user instructions.



COMPONENT LIST (powrmatic part number)		
A	3 Way Hylec Block	143100603
B	Terminal Block	143100563
C	Jox Relay	143000816
D	Riello Burner	Model Specific
E	White Rogers Fan/Limit Stat	143000307/MOD
F	MC 200 Cabinet Unit	MC200CAB
G	Main Fan	Model Specific
H	Limit Interface Board	142403600/3
I	Limit Indicator / Reset	143070274
J	Fuse Holder	143000526

Wiring Legend	
	Connections made by Control board Assembler
	Connections made by Final Assembler
	Connections made by Installer

POWRMATIC LTD
Powrmatic Ltd - Hont Bridge, Ilminster, Somerset
TA19 9PS TEL: 01460 53535 FAX: 01460 52341
Web: www.powrmatic.co.uk E-Mail: r&d@powrmatic.co.uk

JMC	-	-	09.01.15	Fan/Limit Stat Changed to White Rogers (Mod)	9
DRN	IA/NC	DCR	DATE	MODIFICATIONS	ISSUE

TITLE: CP x Oil 30 c/w Fitted MC 200
DRG NO: CPx / Oil / 1ph / 001-01